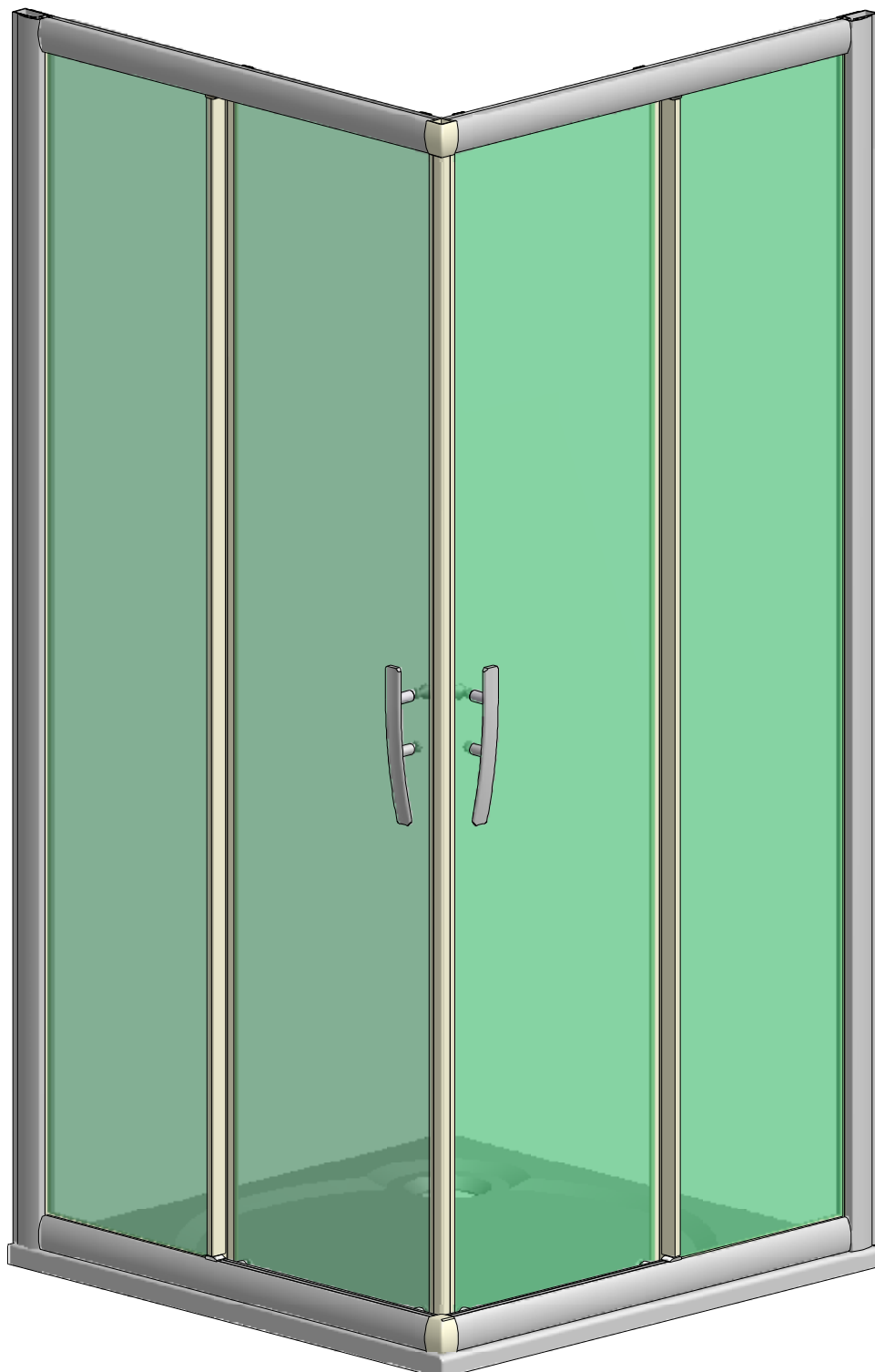


# PXS2L+PXS2P



Roltechnik a.s.; Czech Republic, 56933 Třebařov 160,  
tel.:+420 461 324 301, fax: +420 461 324 297,  
<http://www.roltechnik.com>; e-mail: [objednavky@roltechnik.cz](mailto:objednavky@roltechnik.cz)

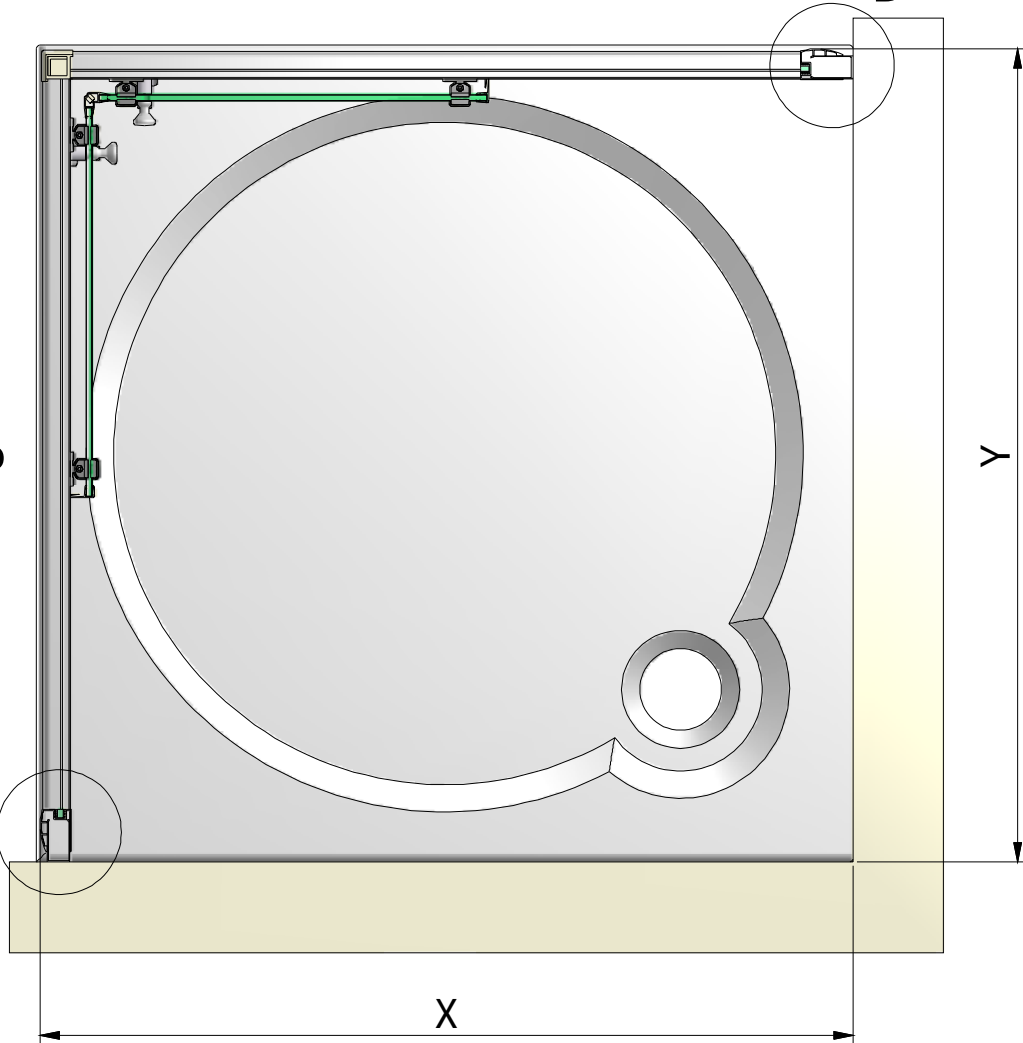
R01  
M9357

PXS2L

B

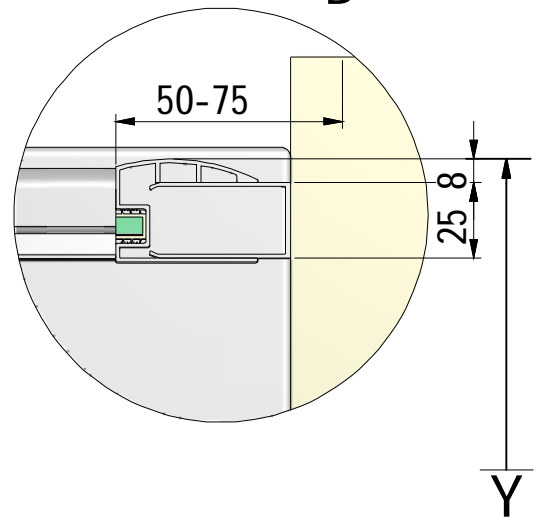
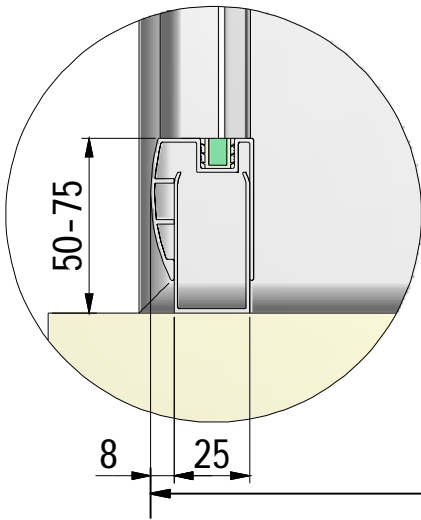
PXS2P

A



A

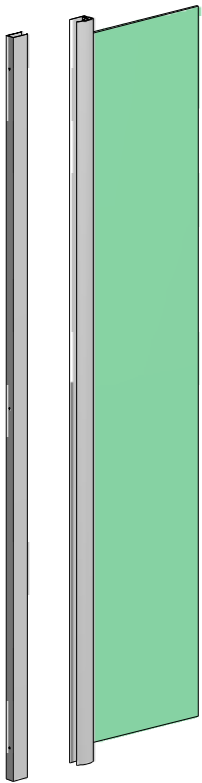
B



| PXS2      | X   |      | Y   |      |
|-----------|-----|------|-----|------|
|           | MIN | MAX  | MIN | MAX  |
| 800x800   | 786 | 810  | 786 | 810  |
| 900x900   | 886 | 910  | 886 | 910  |
| 1000x1000 | 986 | 1010 | 986 | 1010 |

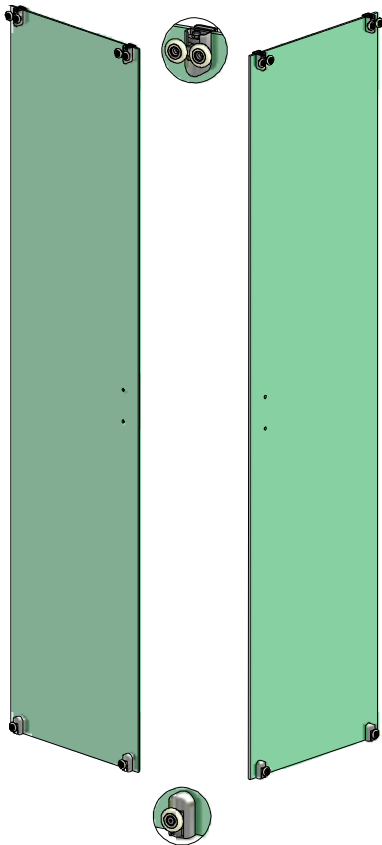
1. 2x

2. 2x



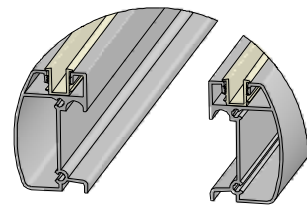
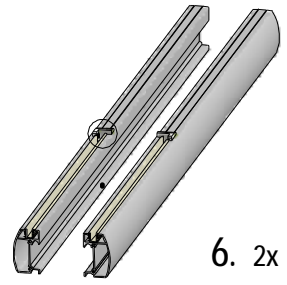
3. 1x

4. 1x



5. 2x

6. 2x

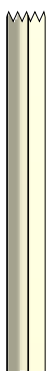
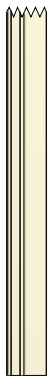
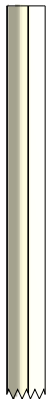
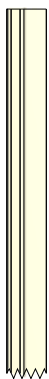
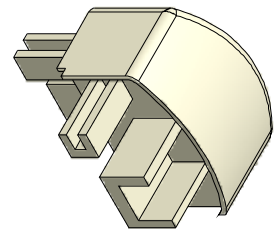
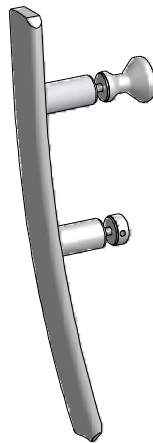
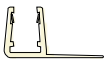


7. 4x

8. 2x

9. 2x

10. 2x

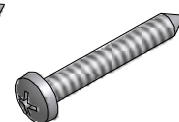
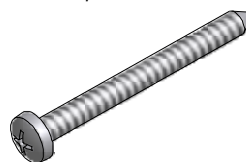
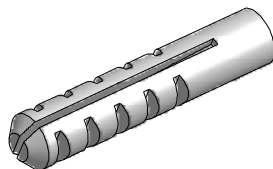


12. 6x  
n 6

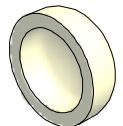
13. 6x  
n 3,5x36

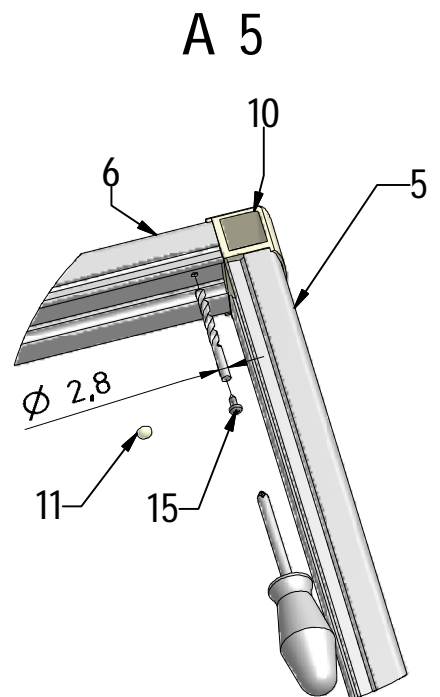
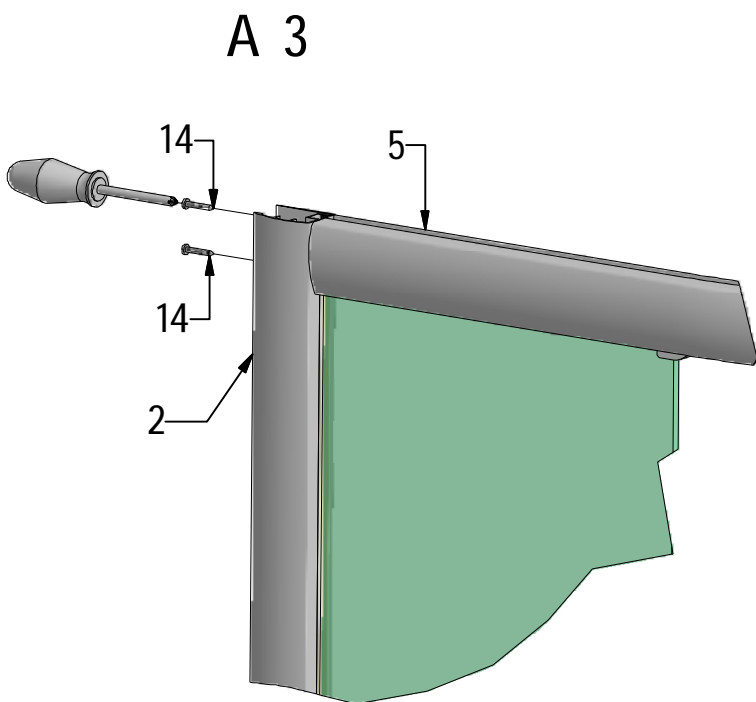
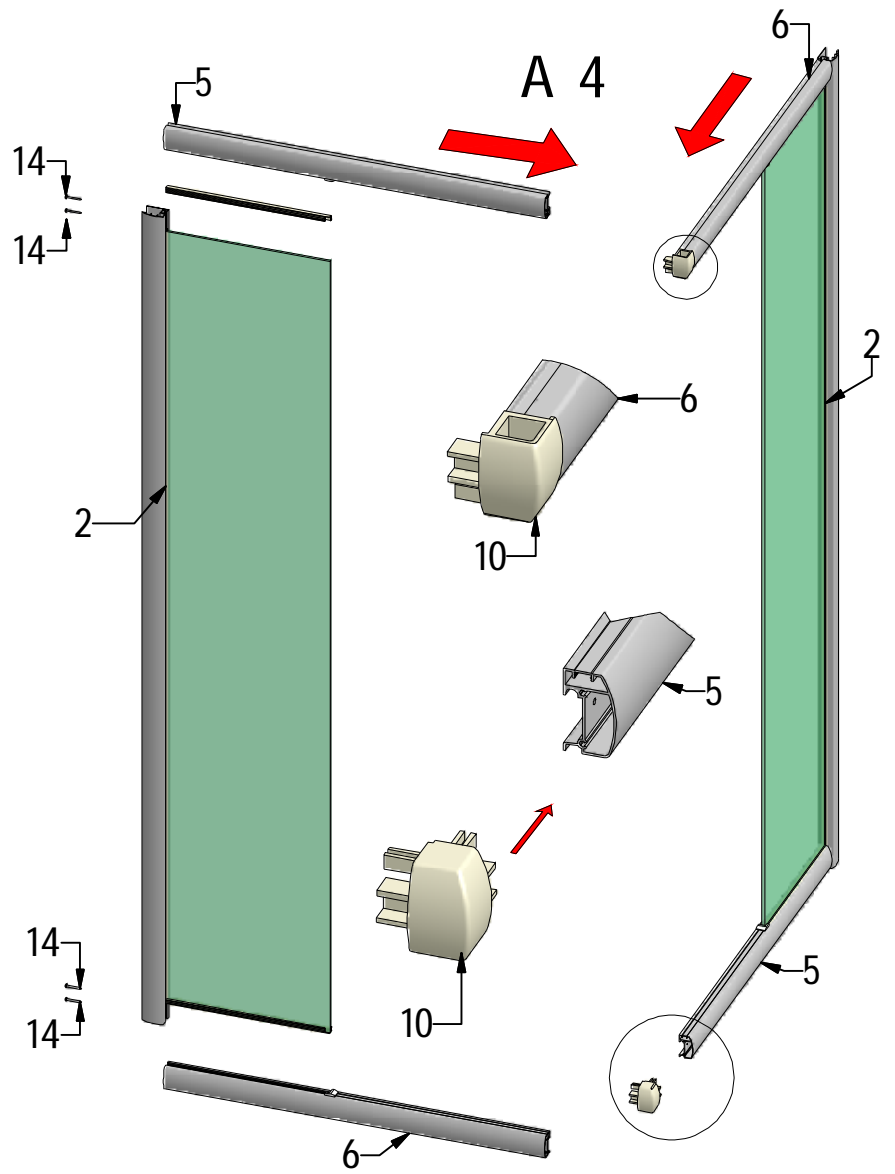
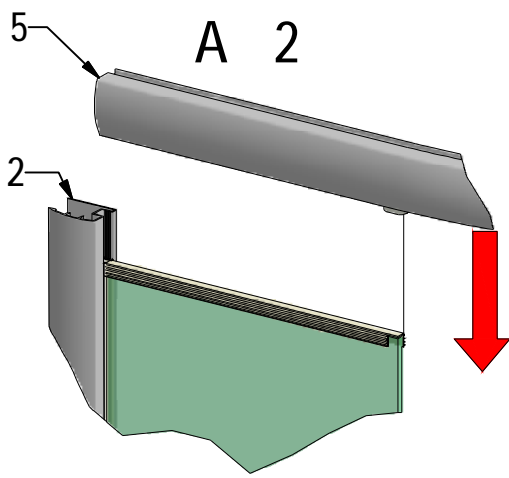
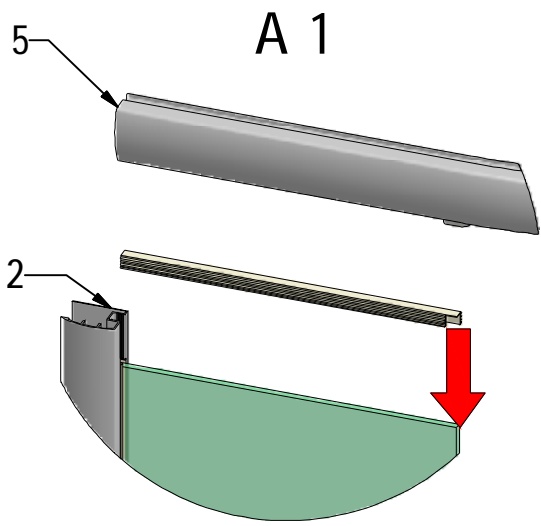
14. 8x  
n 3,5x28

15. 10x  
n 3,5x9,5

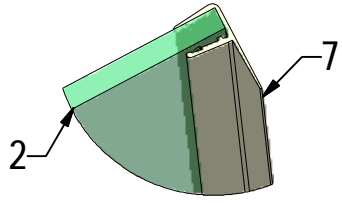


11. 10x  
n 8

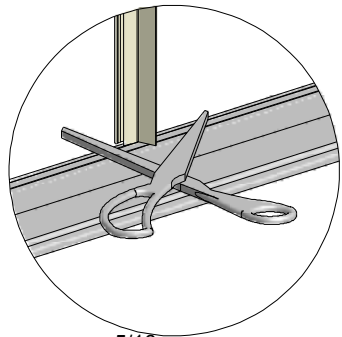
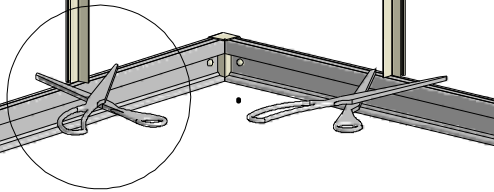
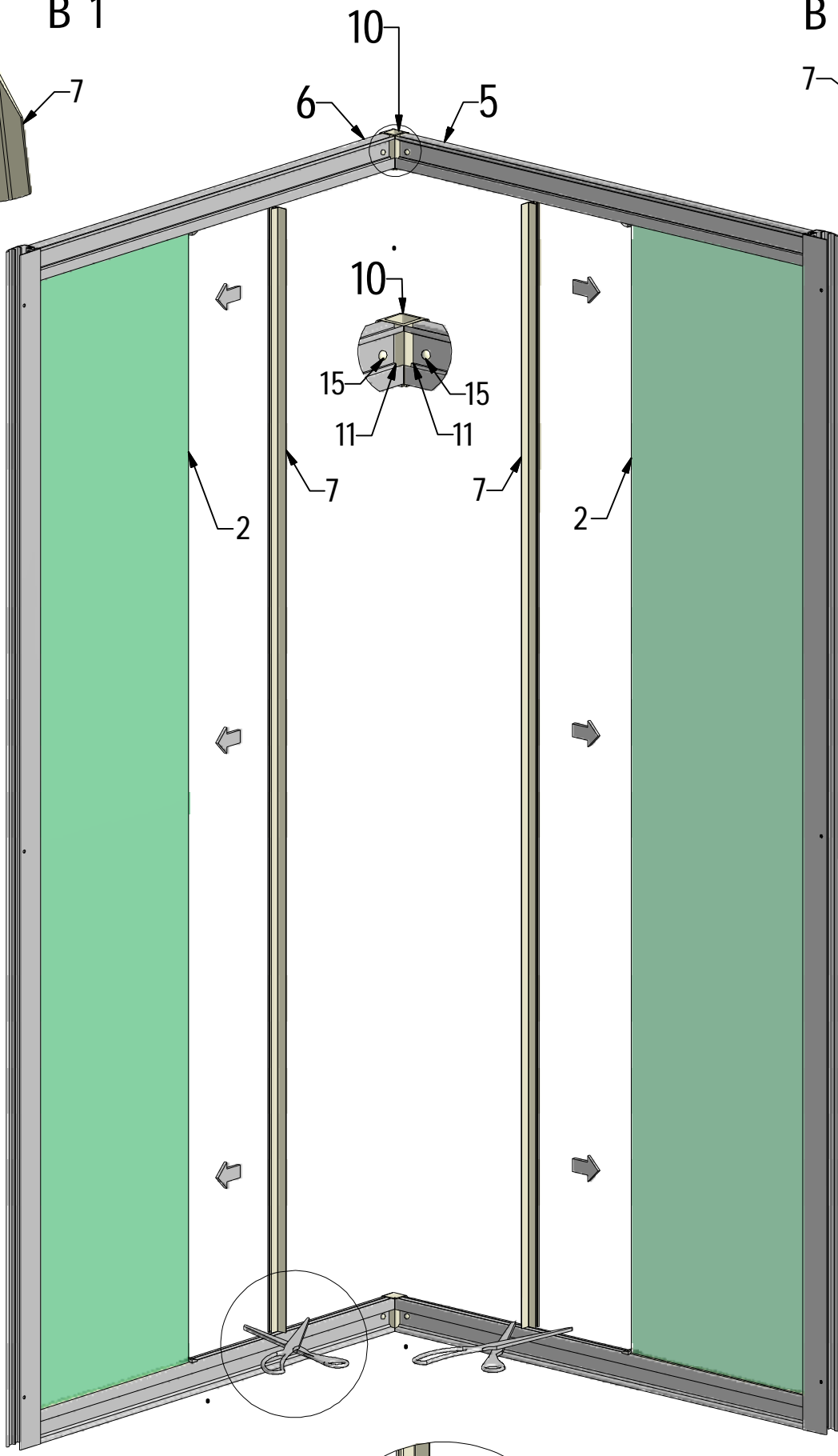
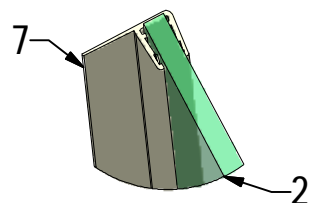




B 1



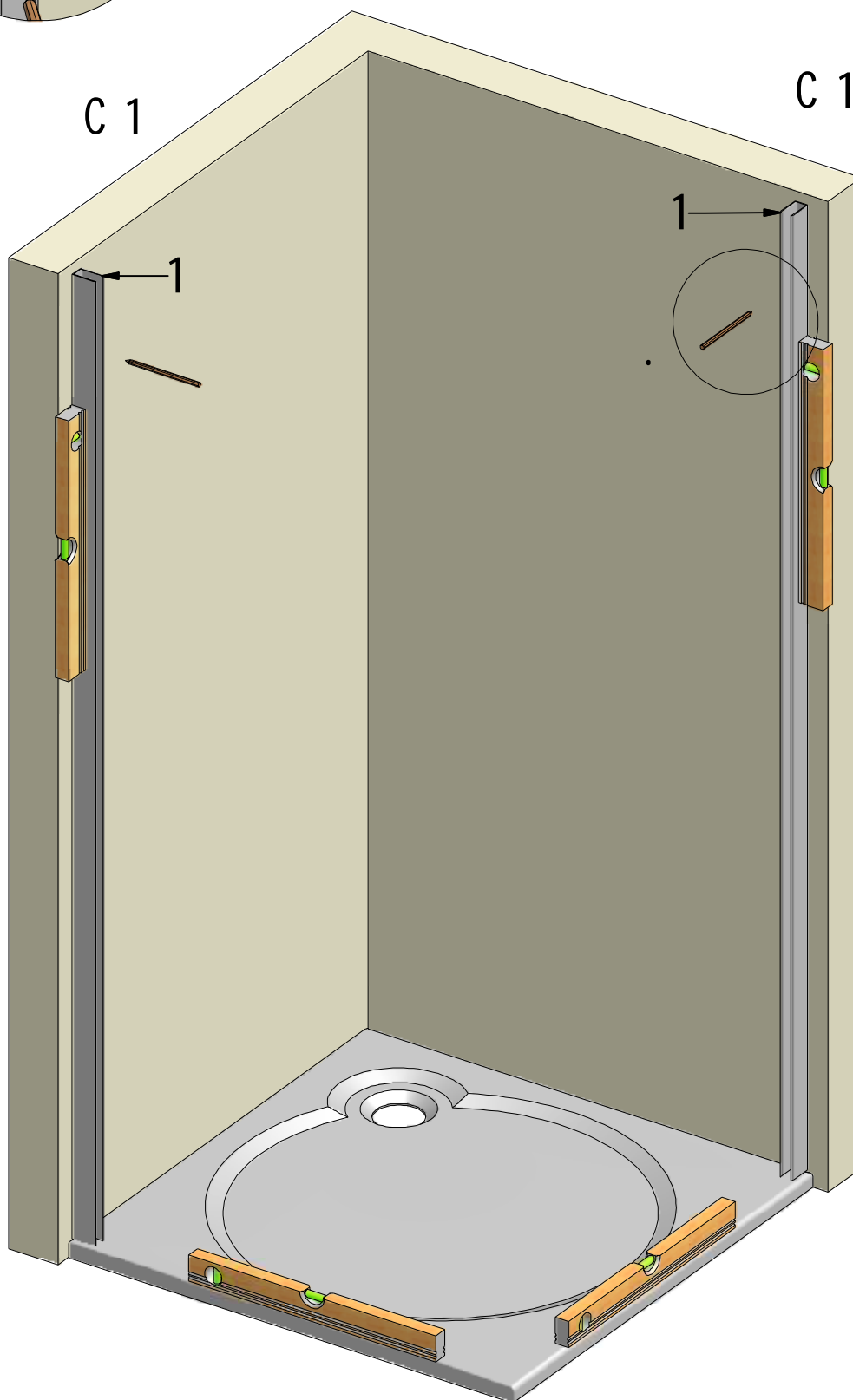
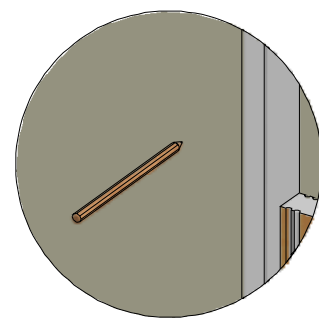
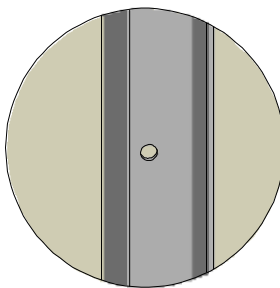
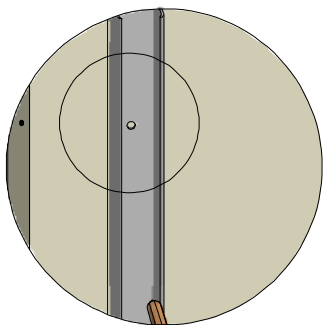
B 2

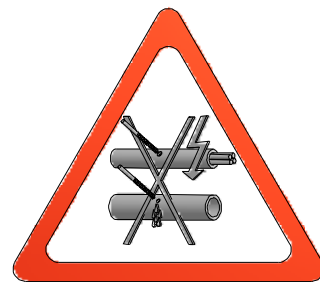
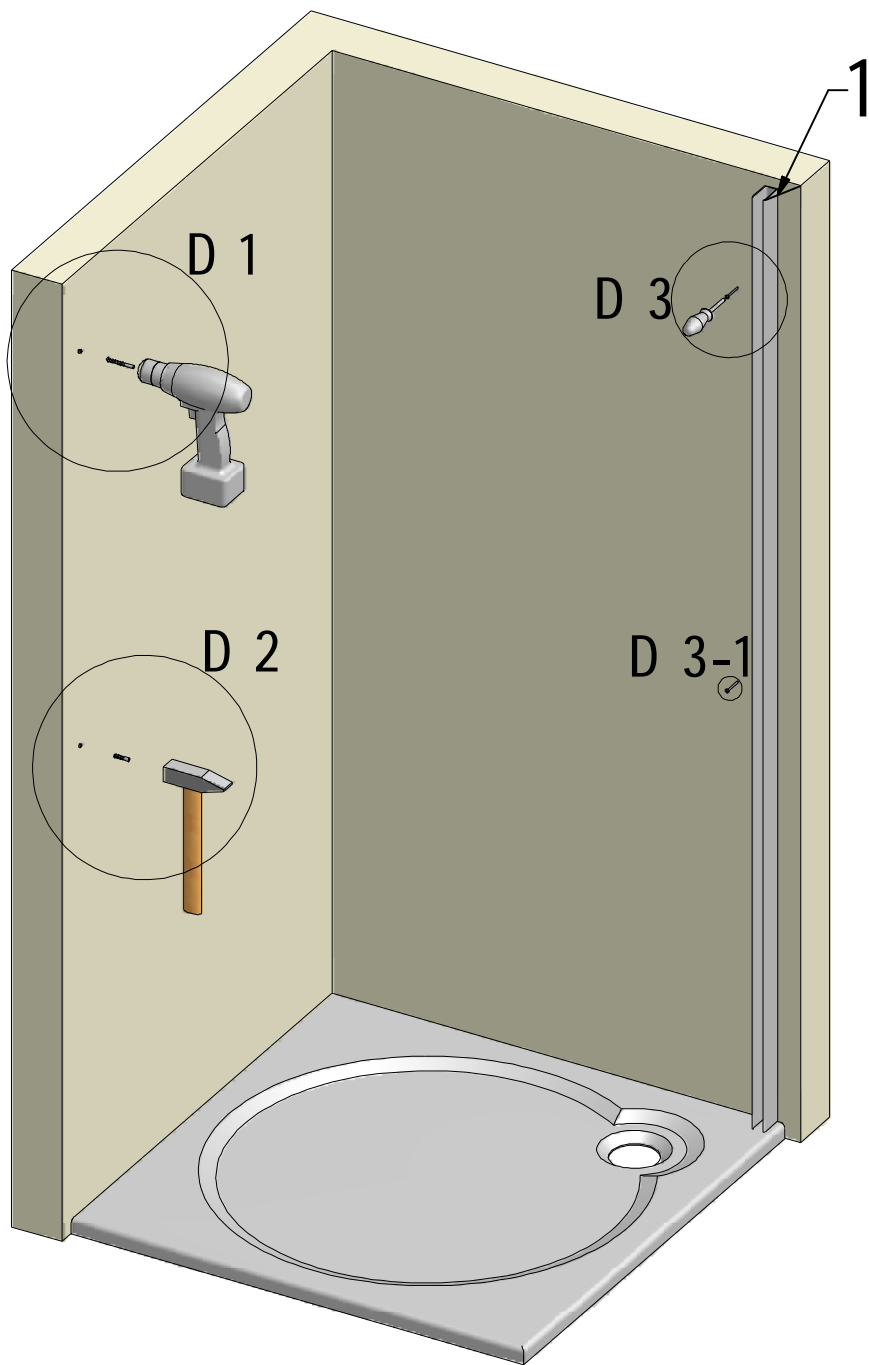


C 1

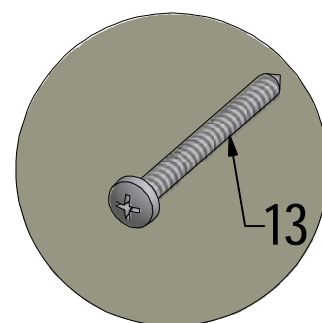
6 x

C 2

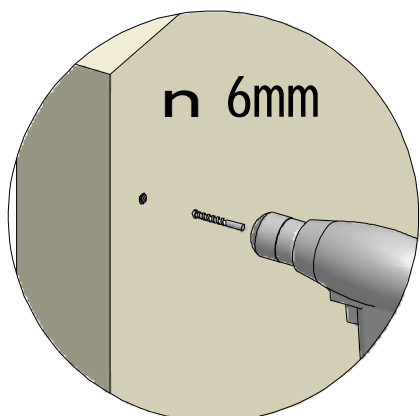




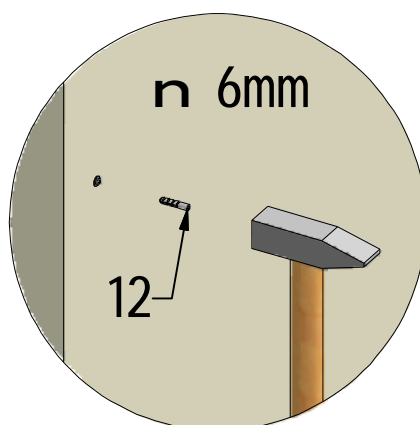
D 3-1



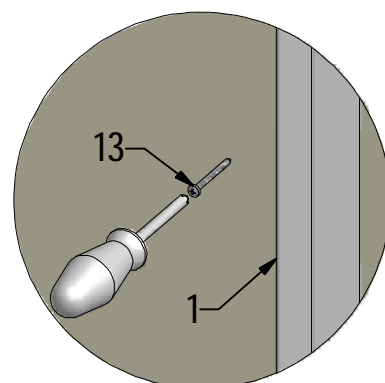
6x  
D 1

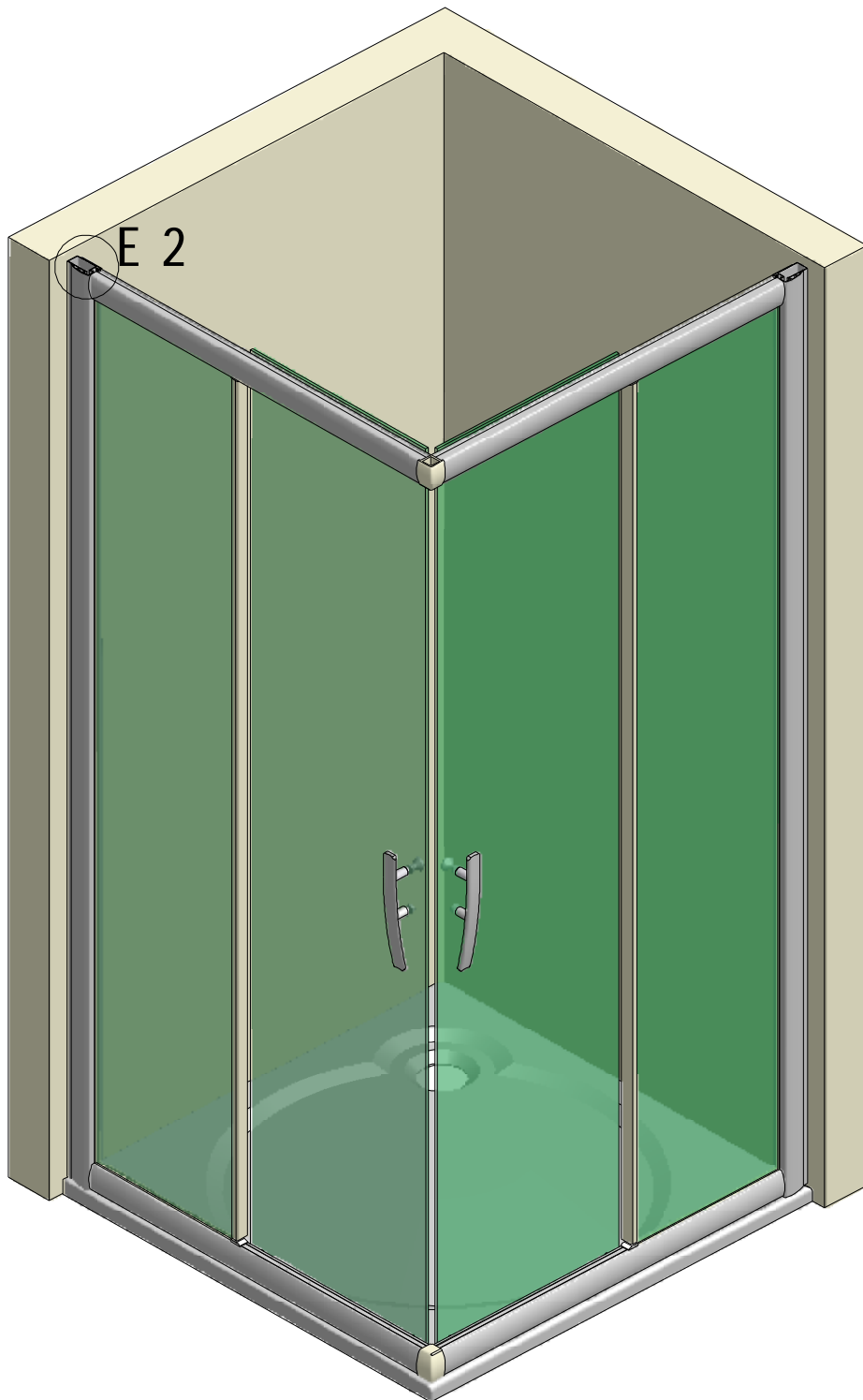
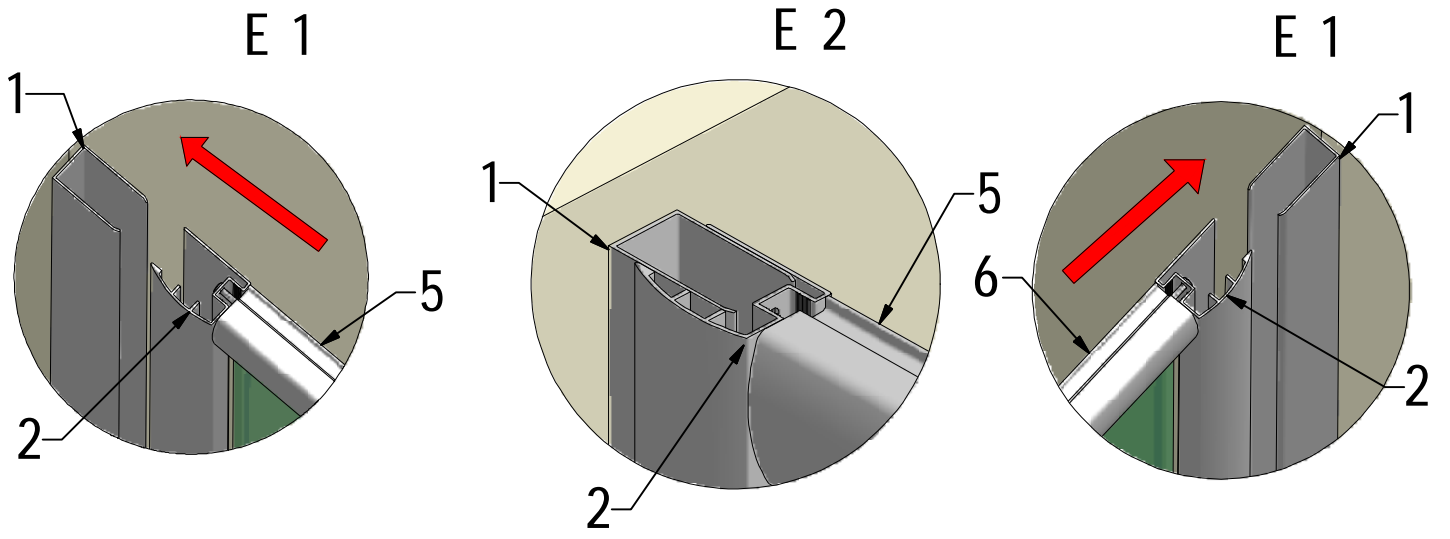


6x  
D 2

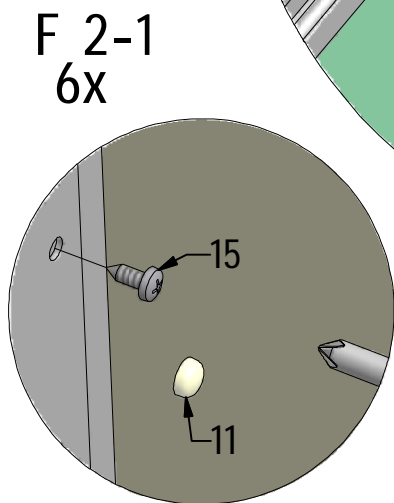
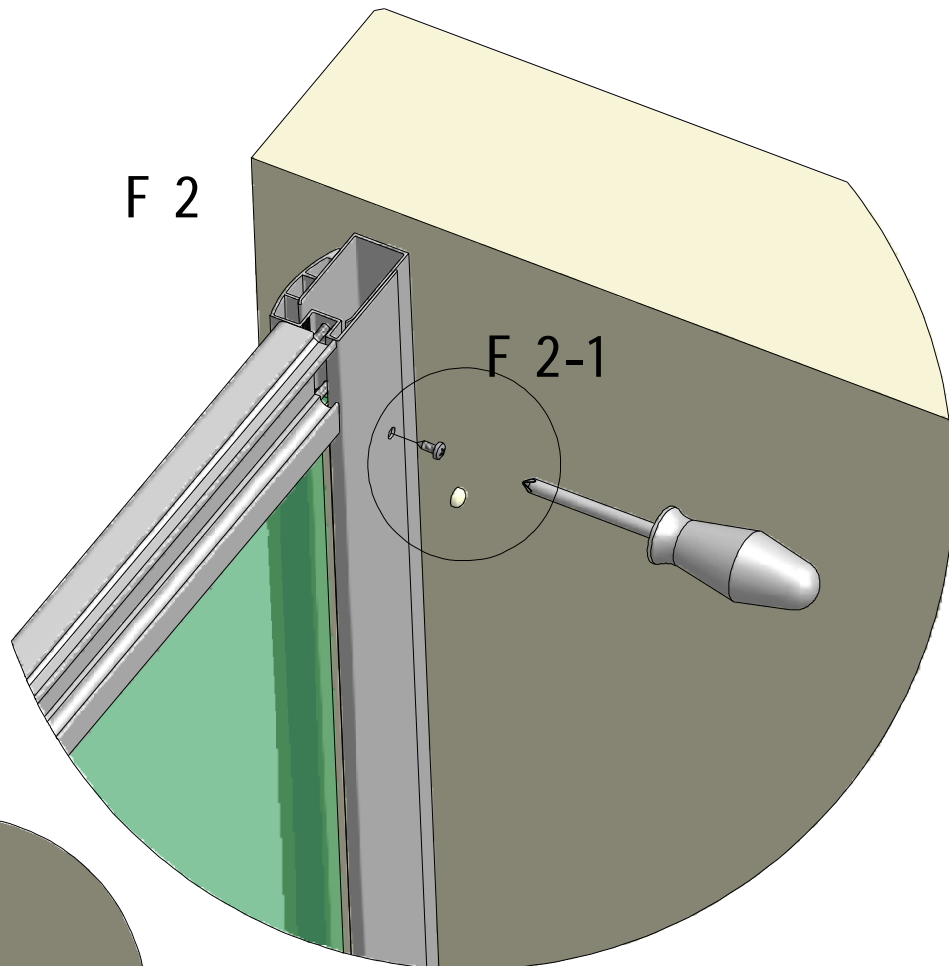
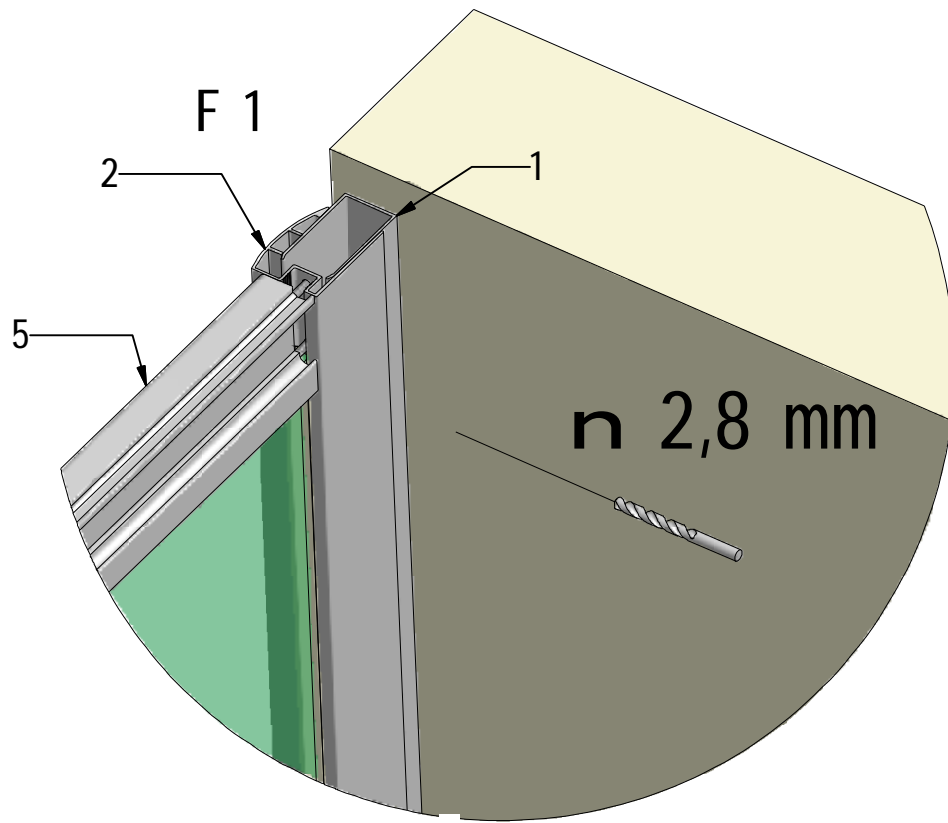


6x  
D 3

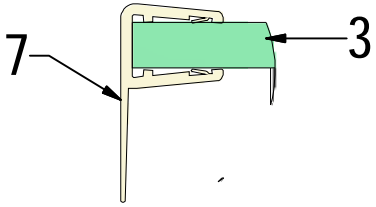




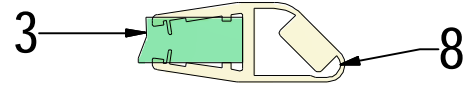




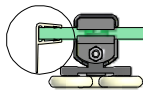
G 1



G 2

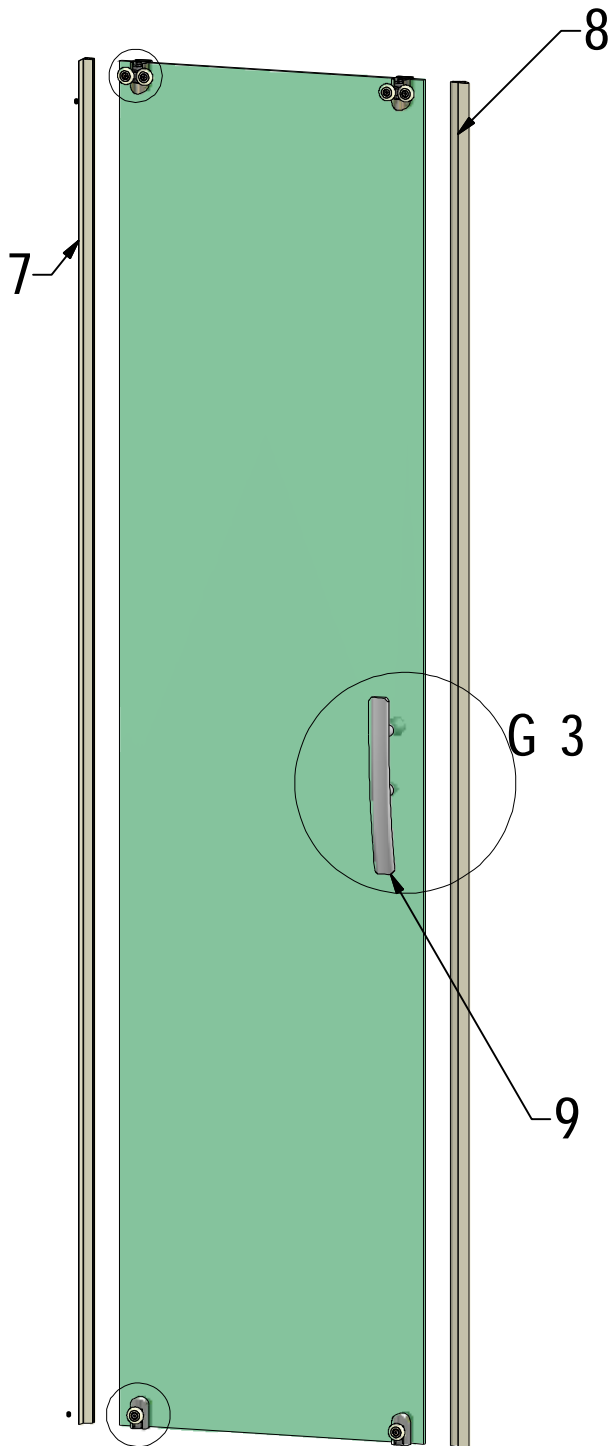
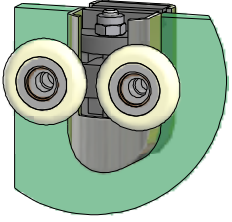
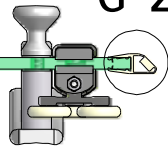


G 1

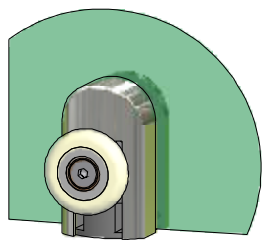
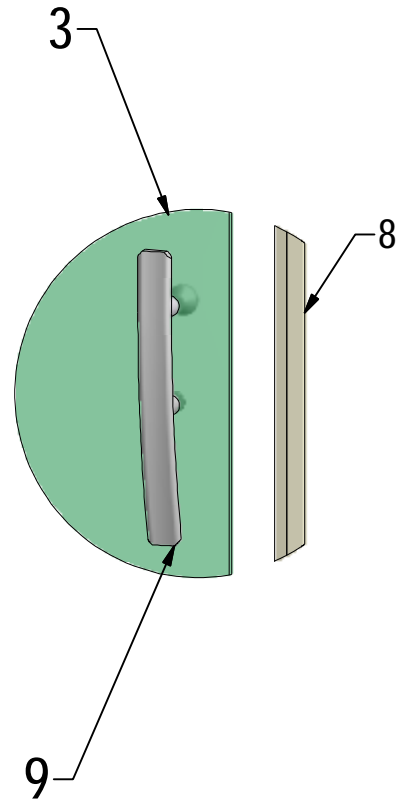


3

G 2



G 3

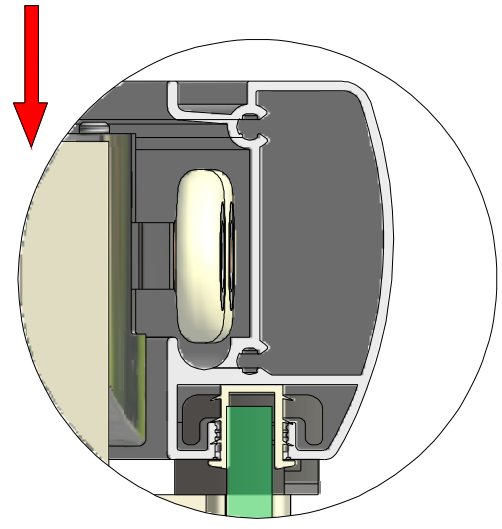


H 3

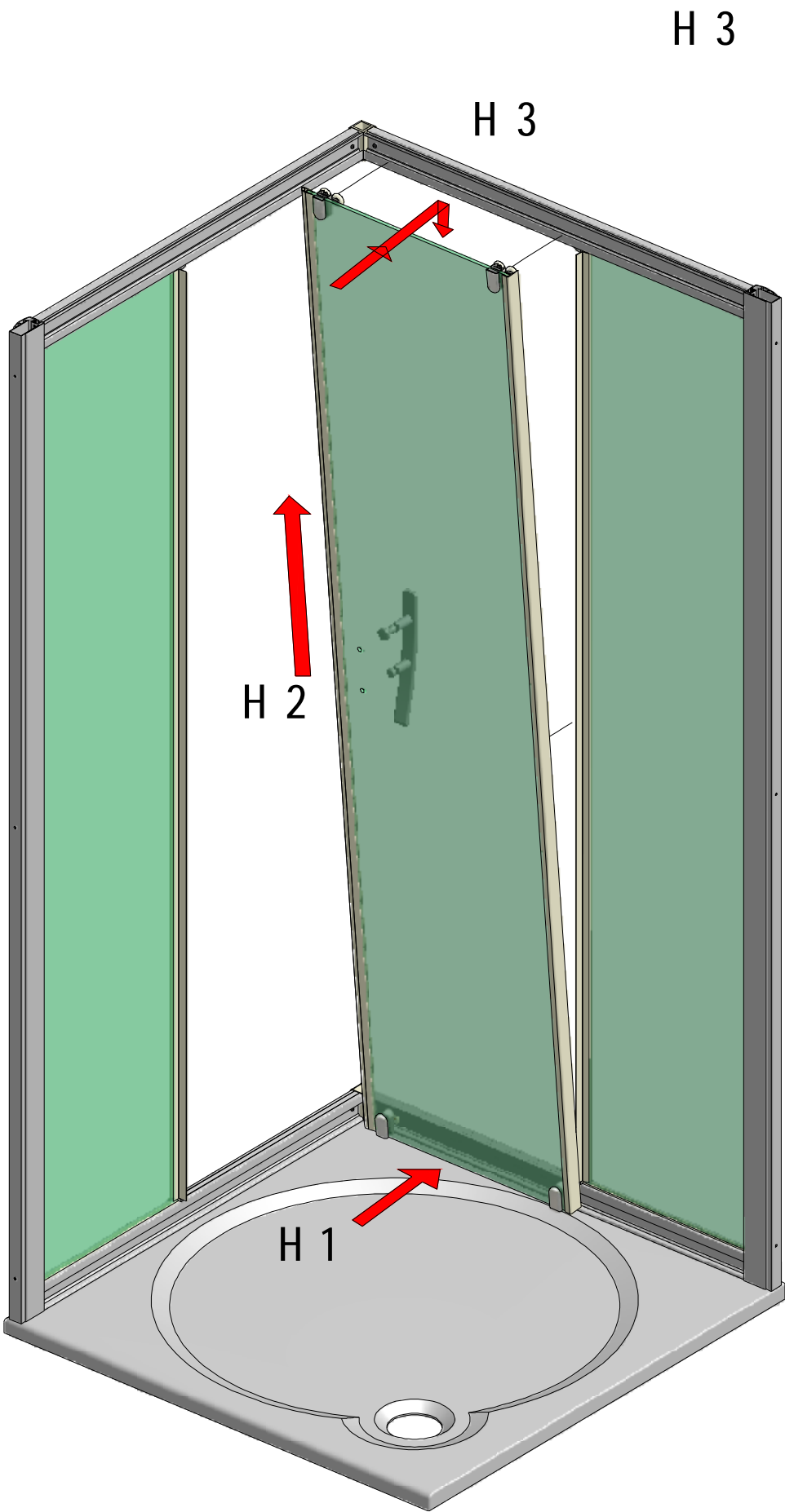
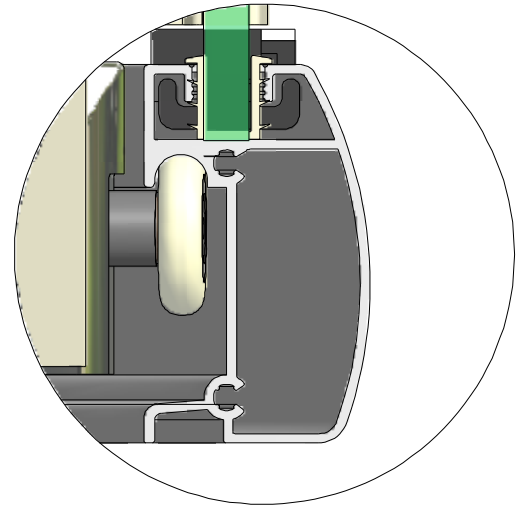
H 3

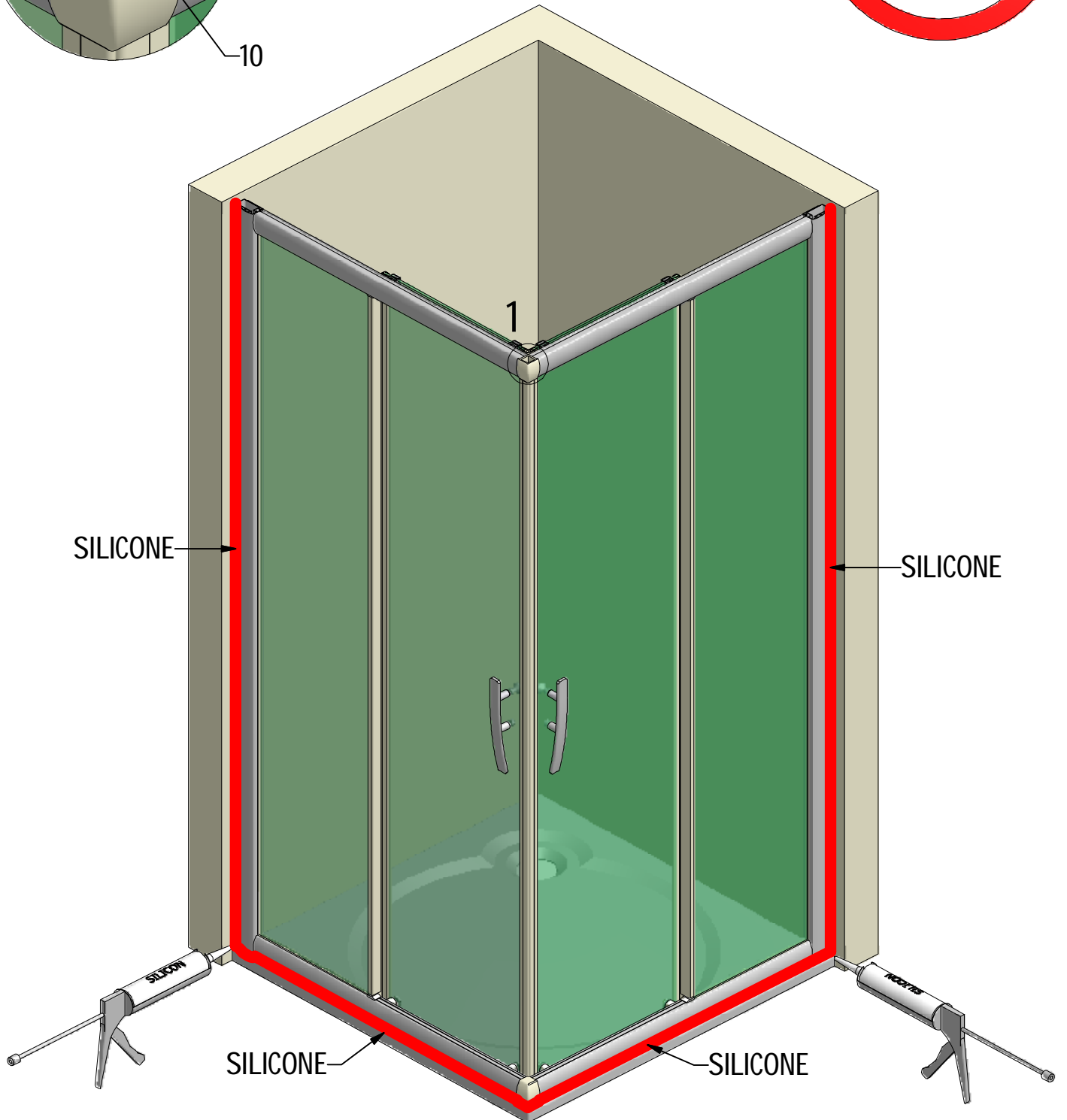
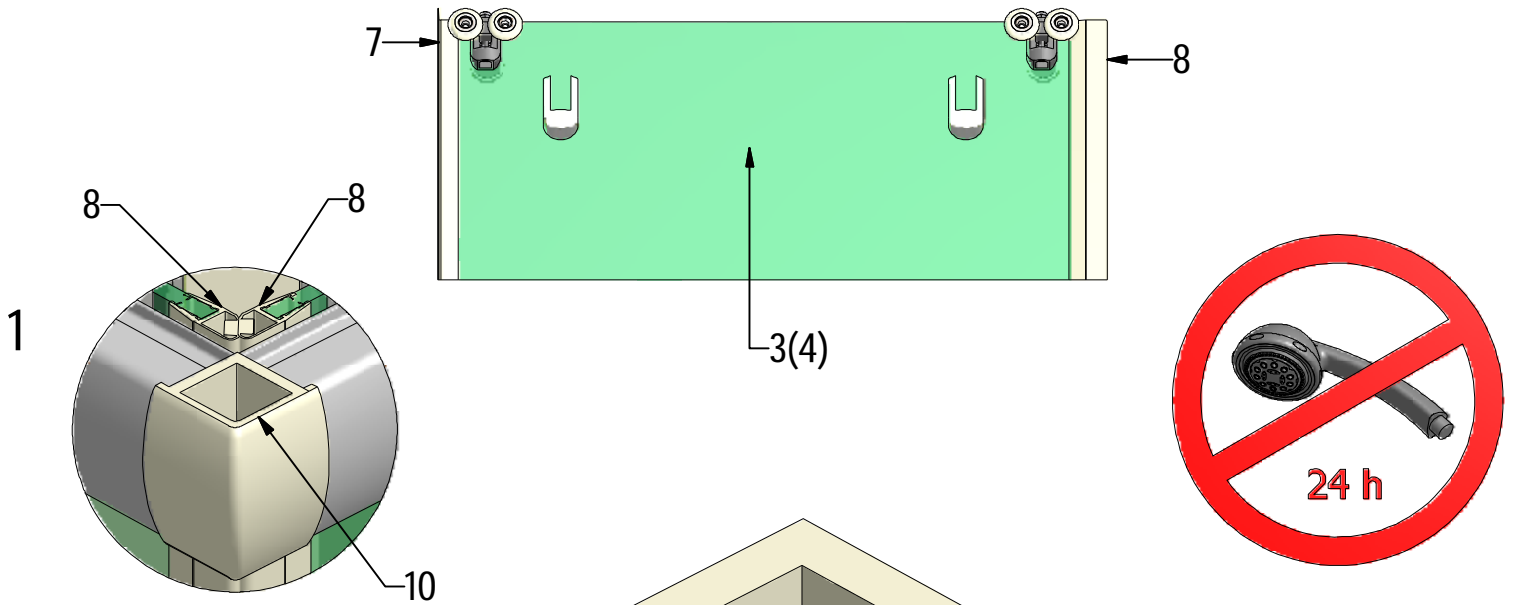
H 2

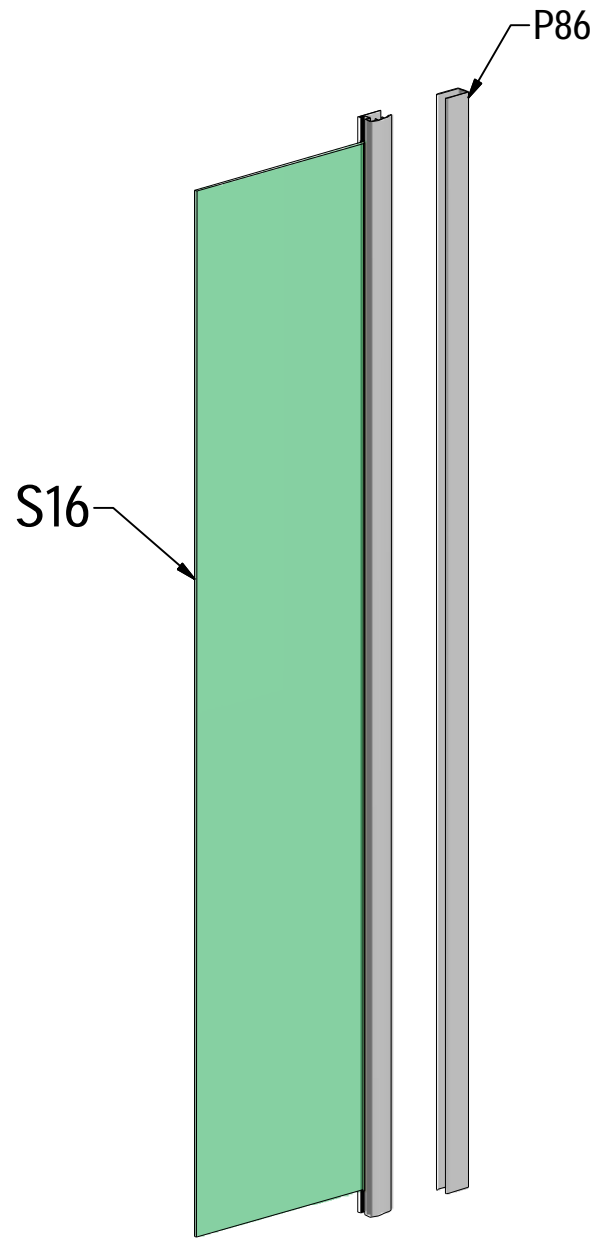
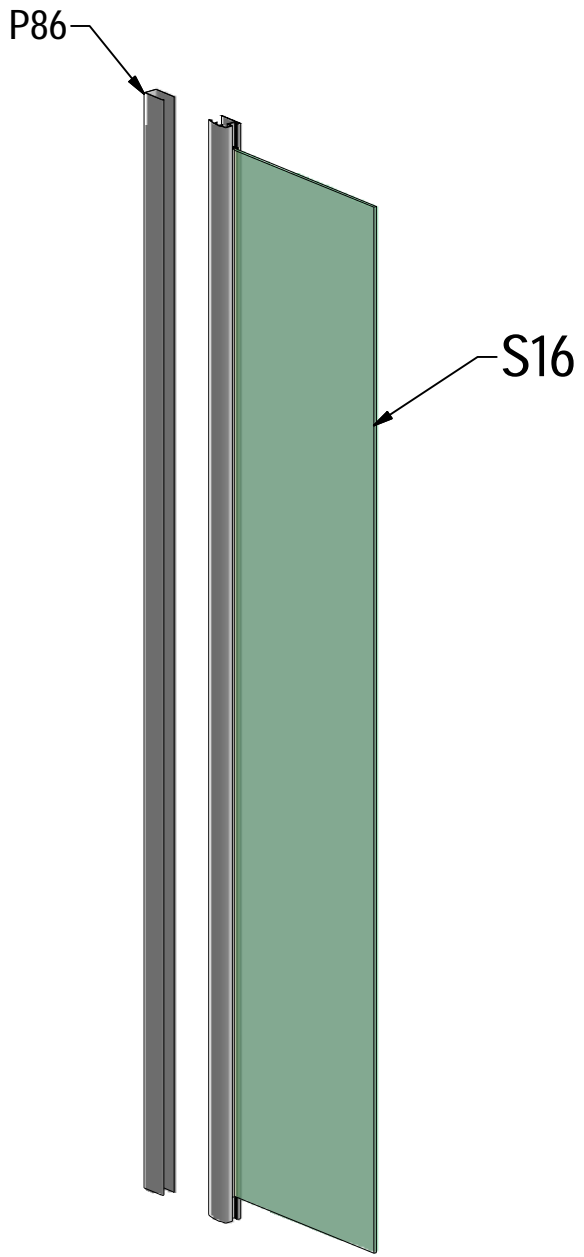
H 1

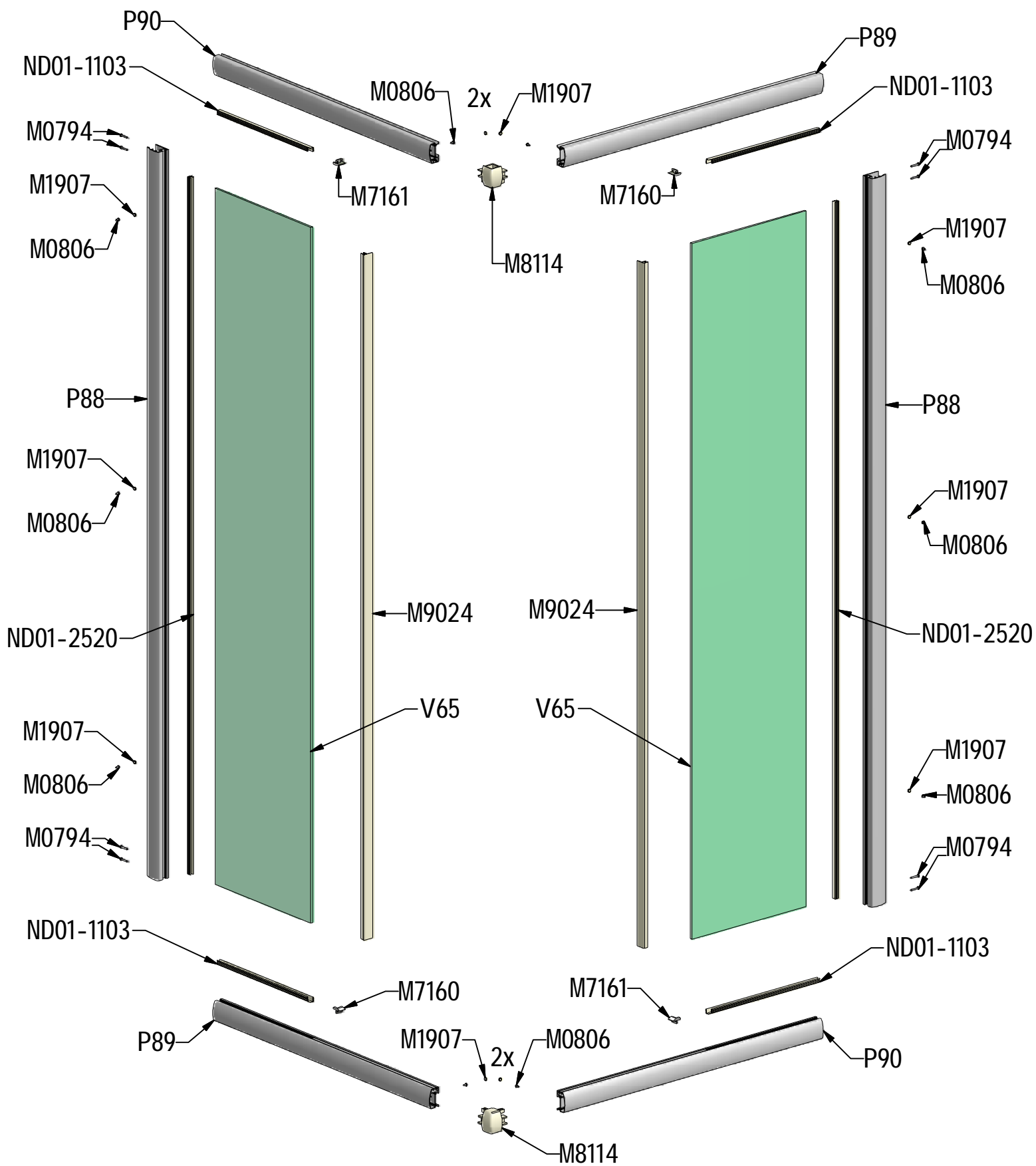


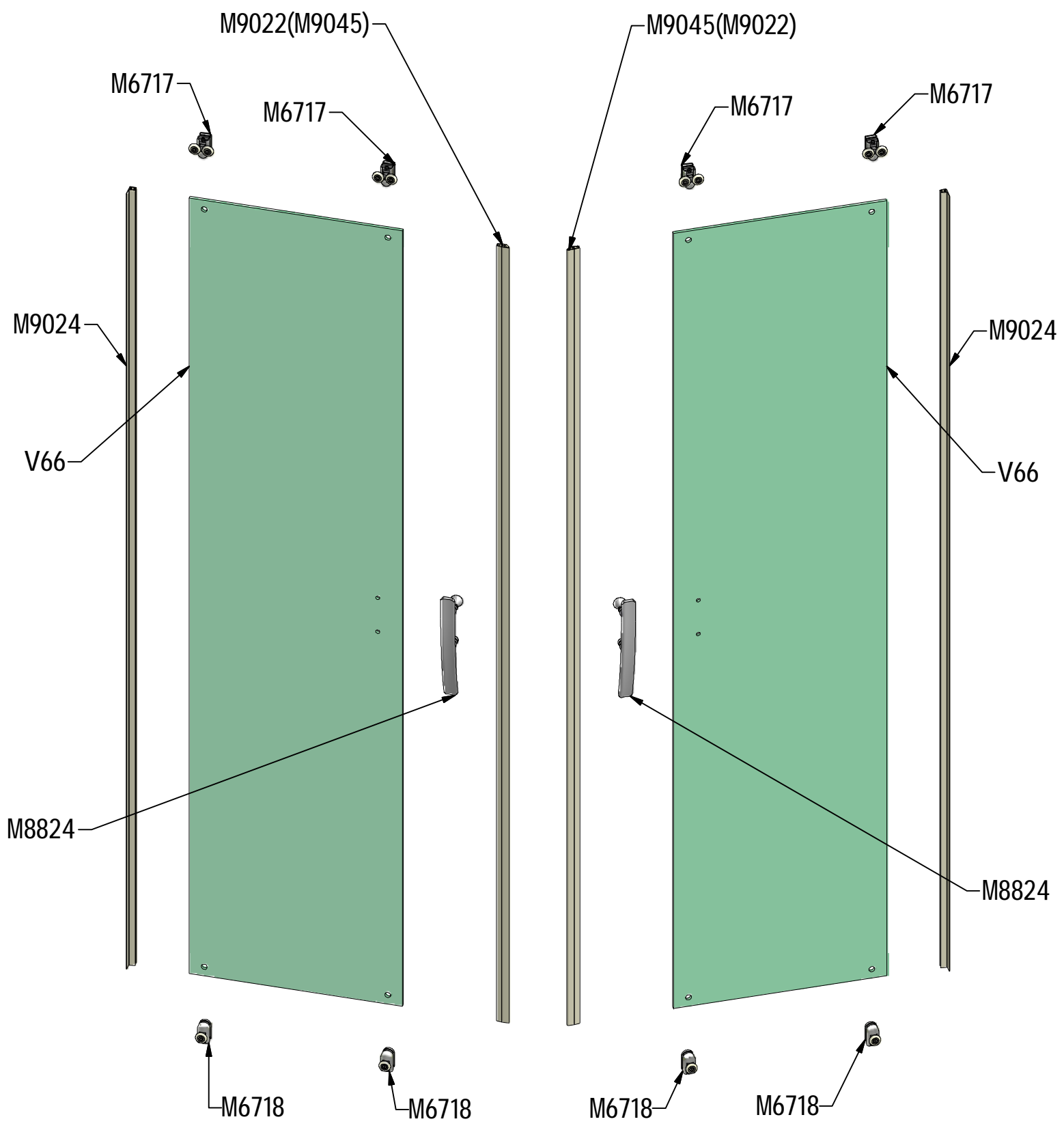
H 1











|           |                         |                         |                      |
|-----------|-------------------------|-------------------------|----------------------|
| S16       | 800/1850                | brillant/clear glass    | ND03-0273-00-02      |
|           |                         | brillant/satinato glass | ND03-0273-00-15      |
|           | 800/2000                | brillant/clear glass    | ND03-0421-00-02      |
|           |                         | 900/1850                | brillant/clear glass |
|           | brillant/satinato glass |                         | ND03-0274-00-15      |
|           | 900/2000                | brillant/clear glass    | ND03-0422-00-02      |
|           | 1000/1850               | brillant/clear glass    | ND03-0275-00-02      |
|           |                         | brillant/satinato glass | ND03-0275-00-15      |
| 1000/2000 | brillant/clear glass    | ND03-0423-00-02         |                      |

|     |         |  |       |
|-----|---------|--|-------|
| P86 | 1850 mm |  | P2871 |
|     | 2000 mm |  | P2873 |

|     |         |  |       |
|-----|---------|--|-------|
| P88 | 1850 mm |  | P2872 |
|     | 2000 mm |  | P2863 |

|     |      |  |       |
|-----|------|--|-------|
| P89 | 800  |  | P2874 |
|     | 900  |  | P2875 |
|     | 1000 |  | P2876 |

|     |      |  |       |
|-----|------|--|-------|
| P90 | 800  |  | P2877 |
|     | 900  |  | P2878 |
|     | 1000 |  | P2879 |

|     |                |                |                 |
|-----|----------------|----------------|-----------------|
| V65 | 800/1850       | clear glass    | ND03-0424-00-02 |
|     |                | satinato glass | ND03-0424-00-15 |
|     | 800/2000       | clear glass    | ND03-0427-00-02 |
|     |                | 900/1850       | clear glass     |
|     | satinato glass |                | ND03-0425-00-15 |
|     | 900/2000       | clear glass    | ND03-0428-00-02 |
|     | 1000/1850      | clear glass    | ND03-0426-00-02 |
|     |                | satinato glass | ND03-0426-00-15 |
|     | 1000/2000      | clear glass    | ND03-0429-00-02 |

|     |                |                |                 |
|-----|----------------|----------------|-----------------|
| V66 | 800/1850       | clear glass    | ND02-0568-00-02 |
|     |                | satinato glass | ND02-0568-00-15 |
|     | 800/2000       | clear glass    | ND02-0571-00-02 |
|     |                | 900/1850       | clear glass     |
|     | satinato glass |                | ND02-0569-00-15 |
|     | 900/2000       | clear glass    | ND02-0572-00-02 |
|     | 1000/1850      | clear glass    | ND02-0570-00-02 |
|     |                | satinato glass | ND02-0570-00-15 |
|     | 1000/2000      | clear glass    | ND02-0573-00-02 |



ROLTECHNIK a.s. / Třeboňov 160 / 569 33,  
CZECH REPUBLIC

10

**EN 14428:2008+A1**