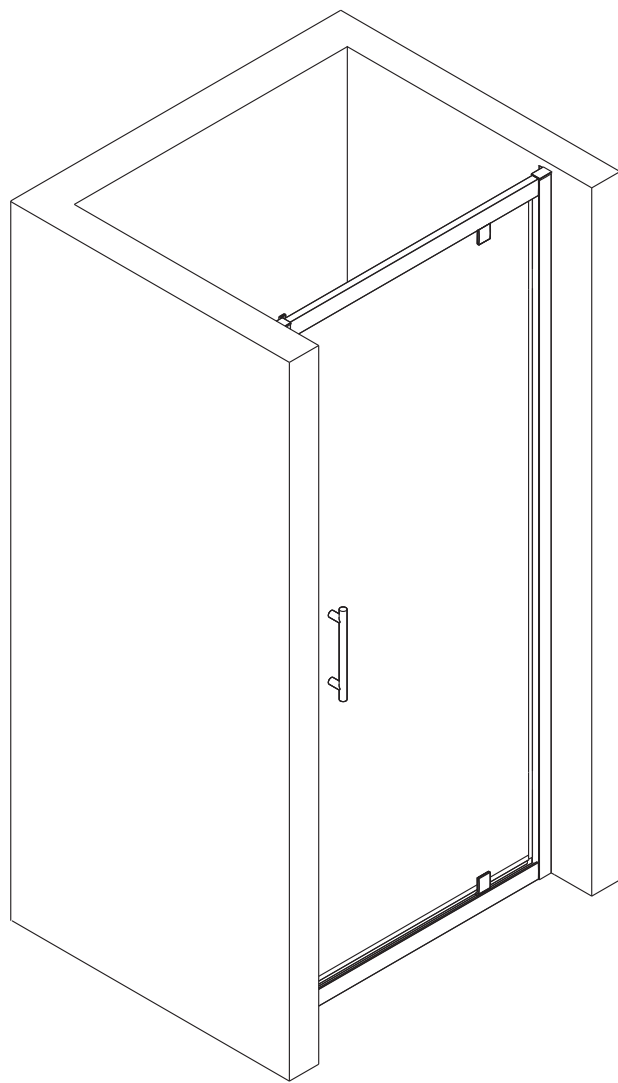
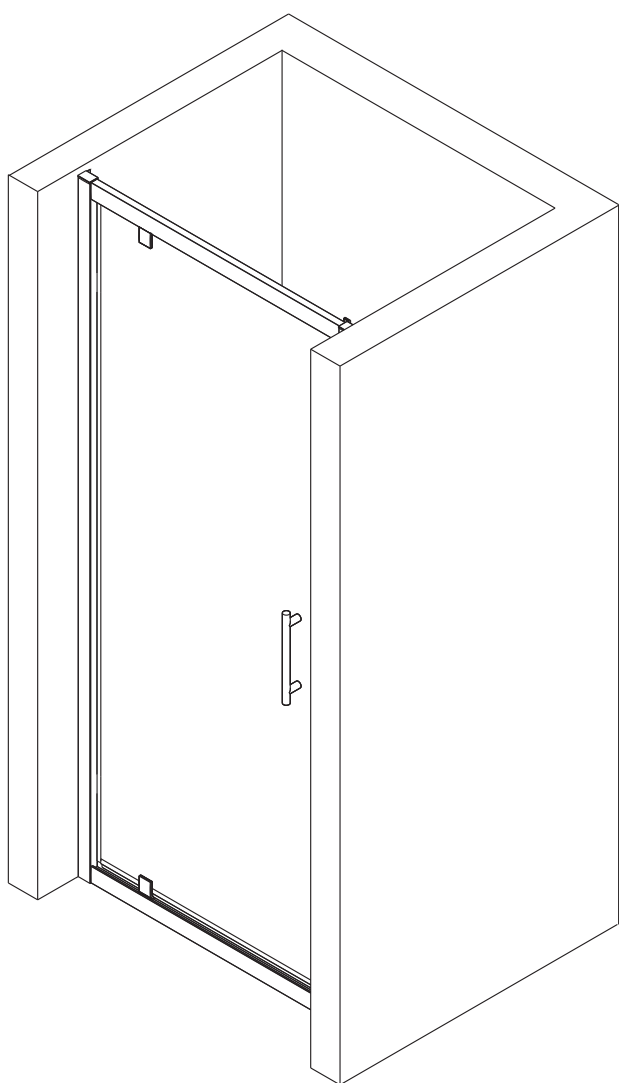
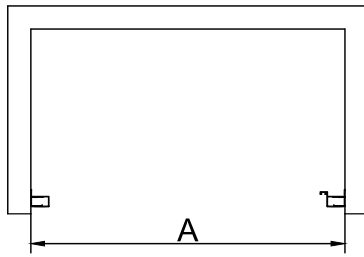


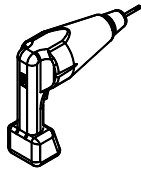
**Model NO. 4000708**  
**4000709**  
**4000710**





SIZE(mm)	A
800	780 - 810
900	880 - 910
1000	980 - 1010

## Tools that may be required:

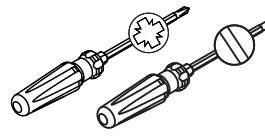


Drill

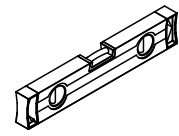


$\phi 3\text{mm}$   
 $\phi 6\text{mm}$

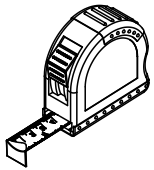
Drill Bit



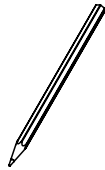
Screw Driver



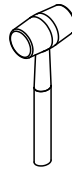
Level



Tape Measure



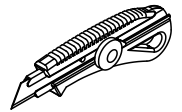
Pencil



Mallet



Silicon Gun


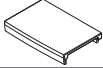





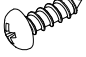




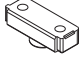
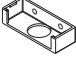









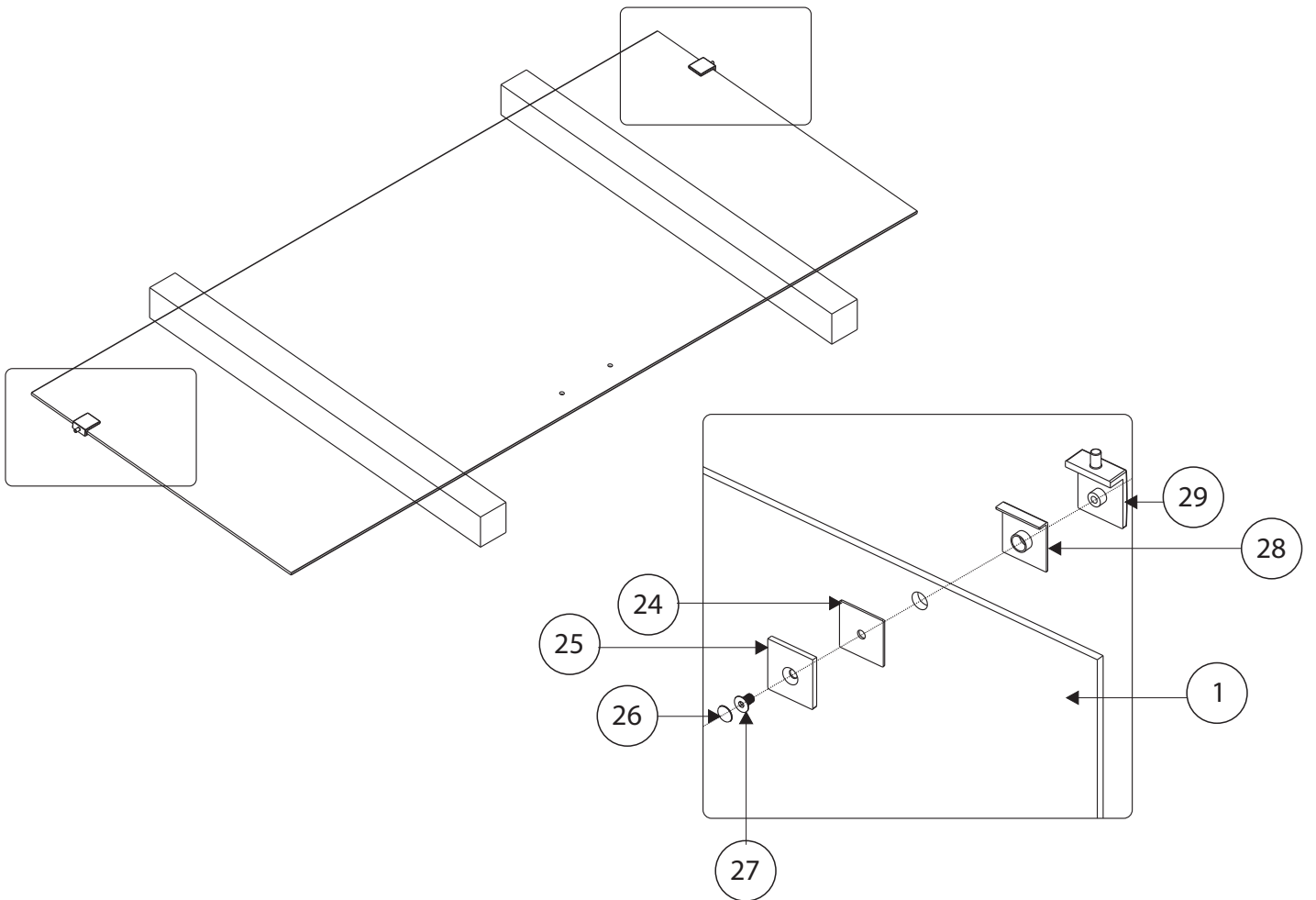
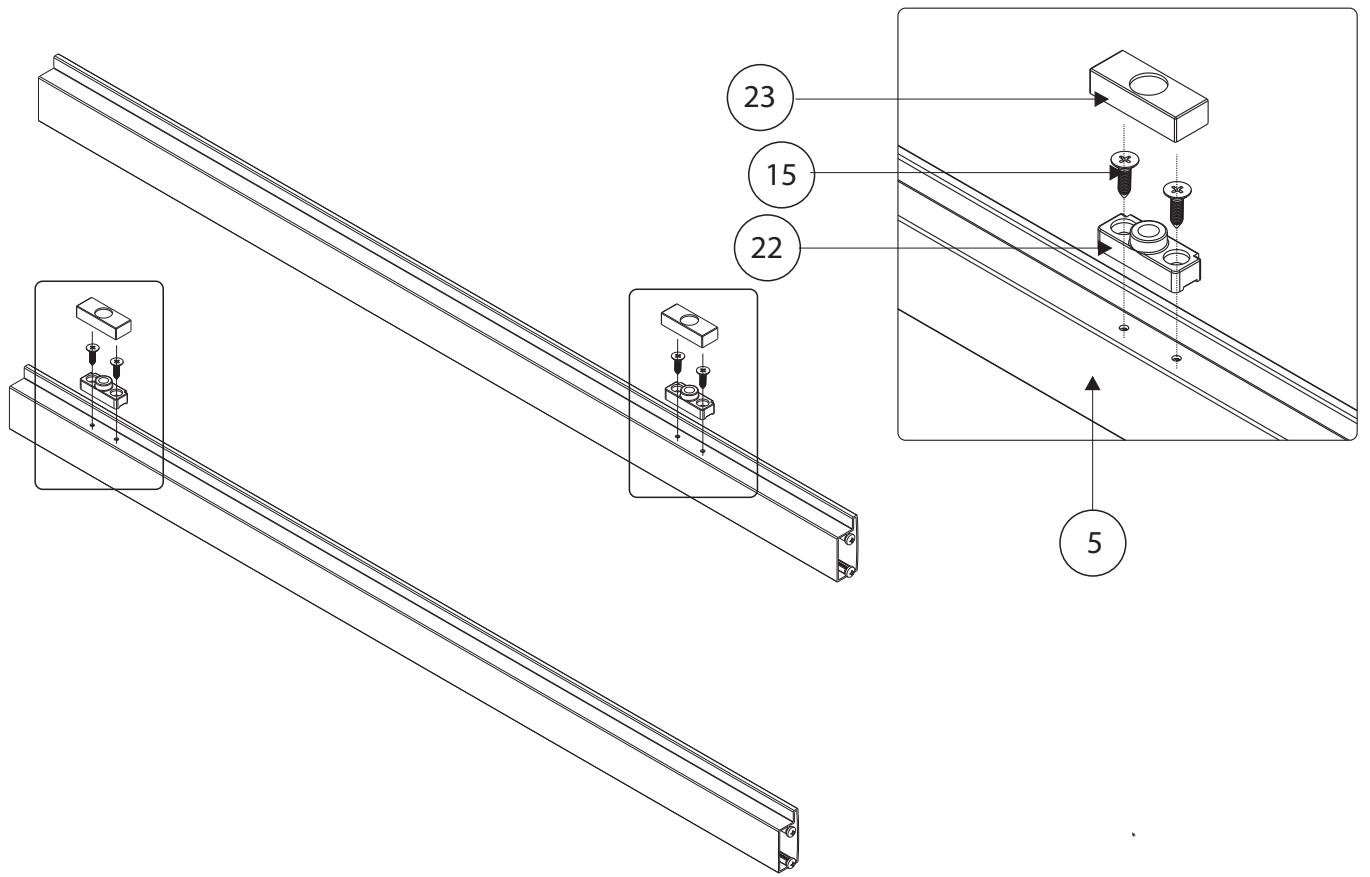
Craft Knife

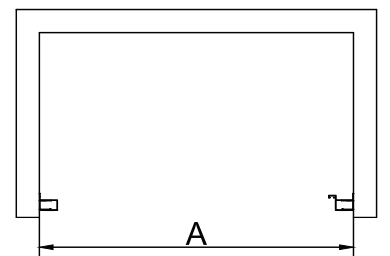
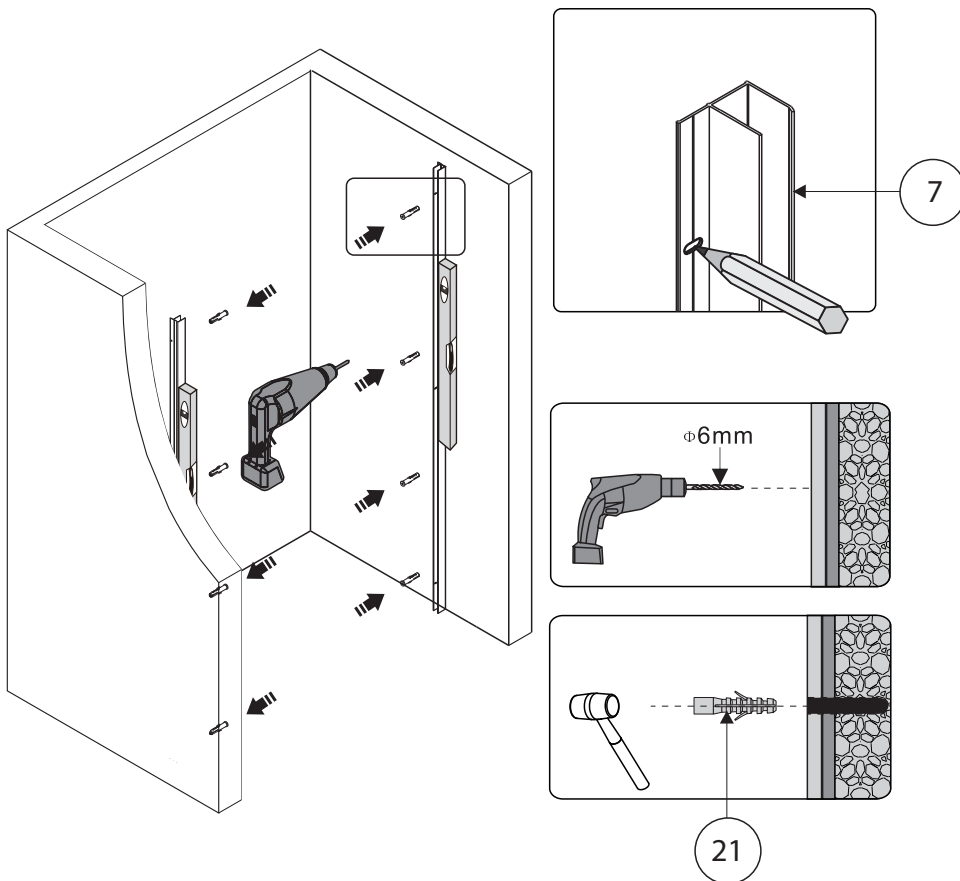
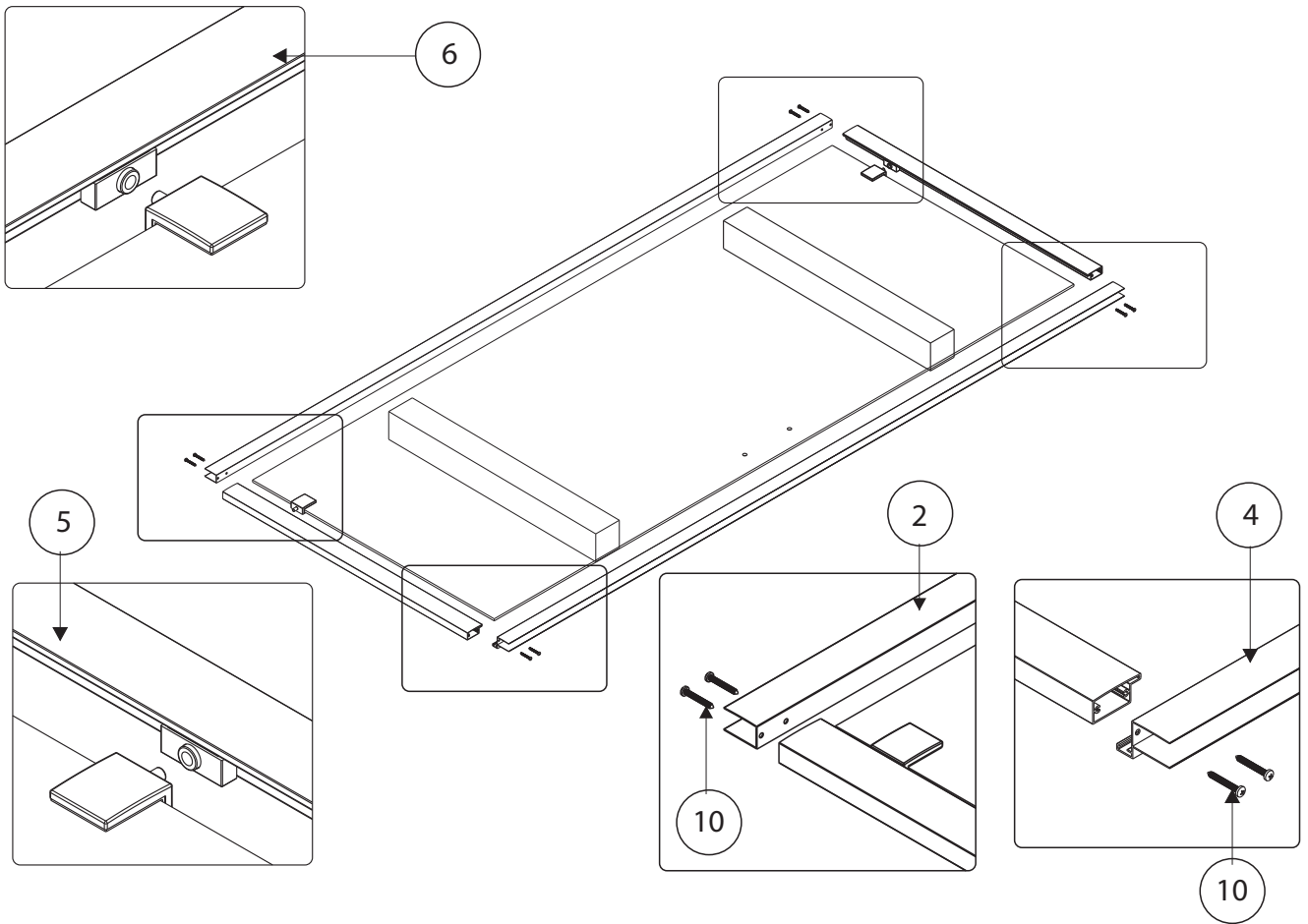
## Parts List

Part Number	Image	Size(mm)	Quantity	ID
01			1	V205
02			1	ND01-3481
03			1	ND01-3845
04			1	
05			1	P248
06			1	P249
07			2	ND01-3471
08			1	ND01-3432
09			1	T44

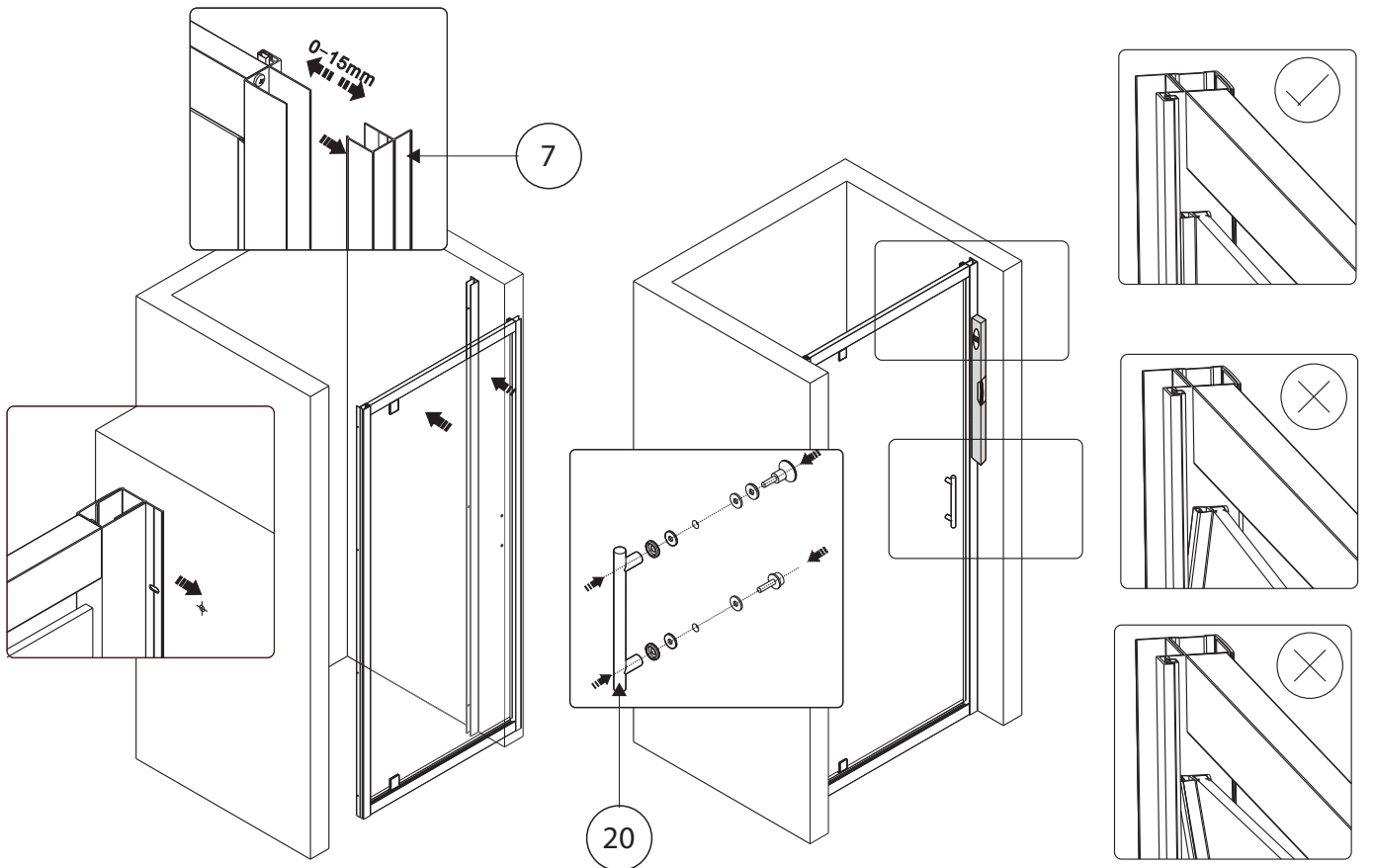
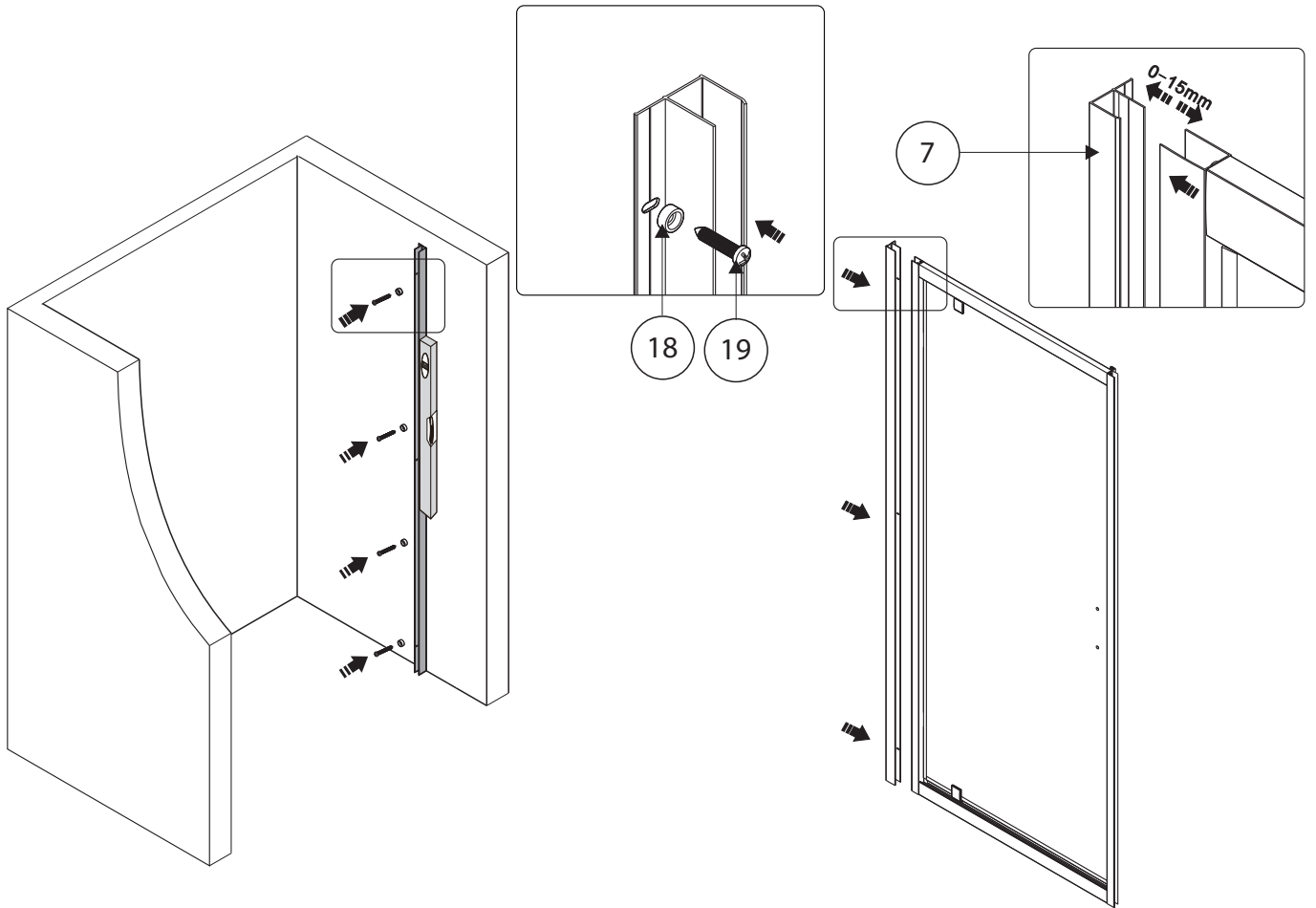
## Parts List

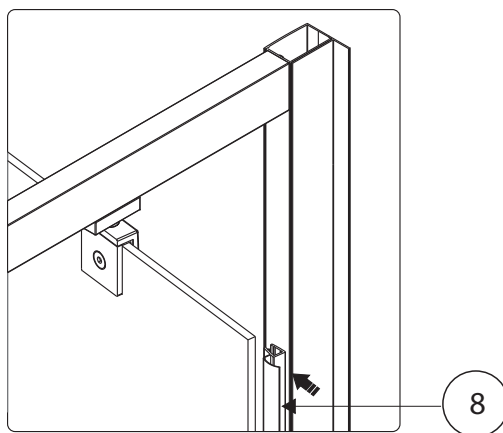
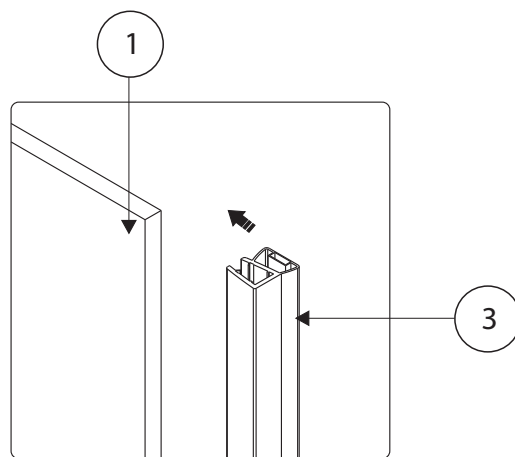
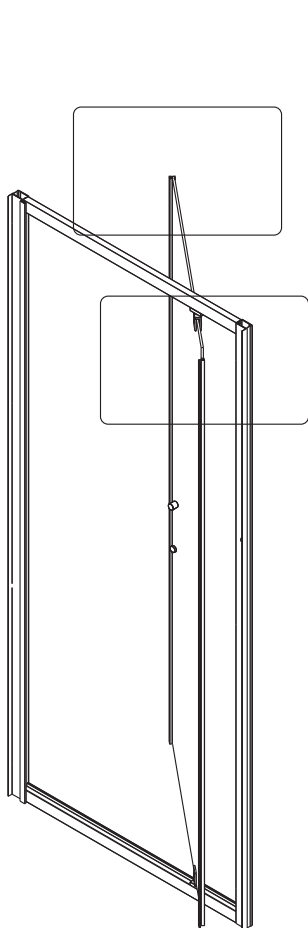
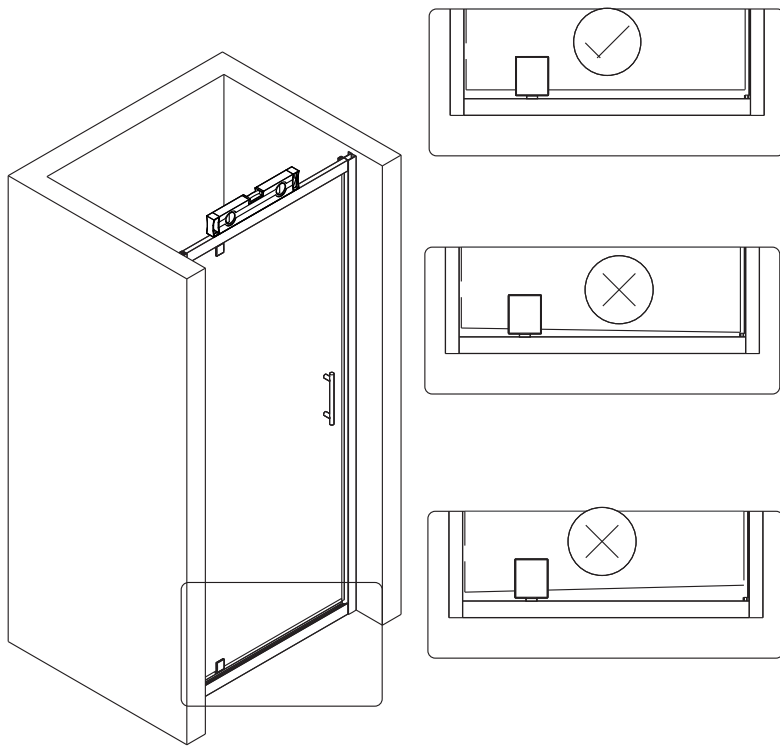
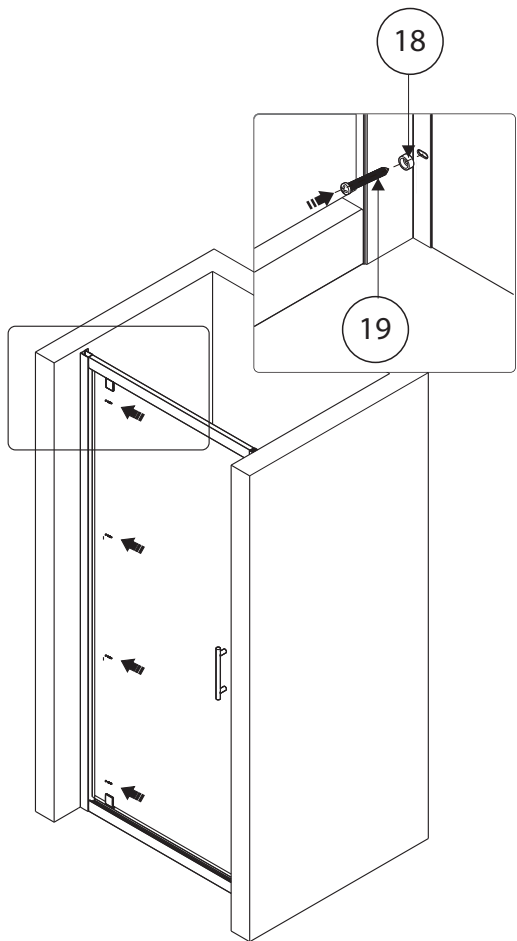
Part Number	Image	Size(mm)	Quantity	ID
10		ST3.9X35	8	ND01-3847
11			1	
12			2	
13		Φ 2.8mm	1	
14		4mm	1	
15		ST3.5X9.5	4	
16			14	
17		ST3.5X9.5	6	
18			14	
19		ST3.9X35	8	
20			1	
21			8	
22			2	
23			2	
24			2	
25			2	
26			2	
27			2	
28			2	
29			2	
30			1	

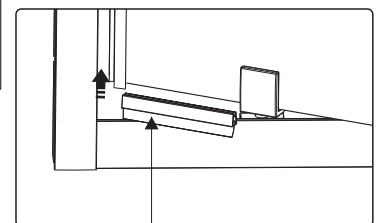
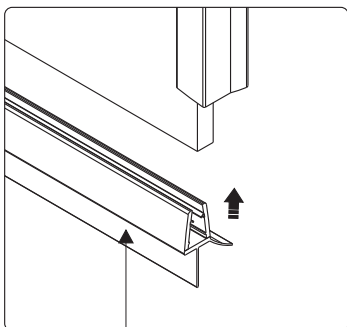
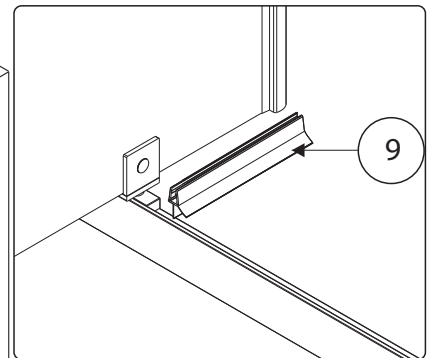
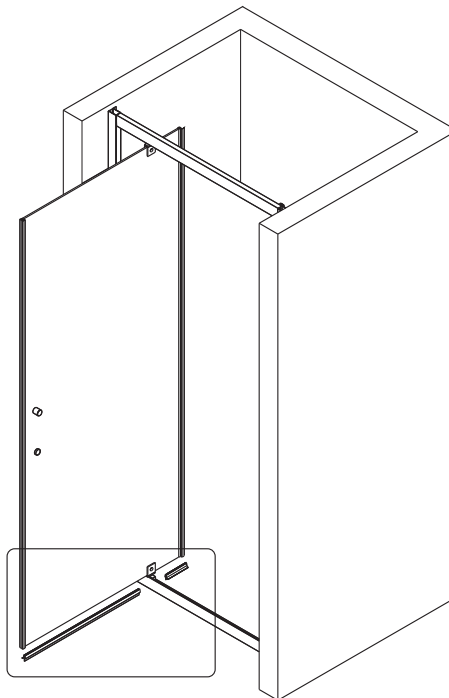
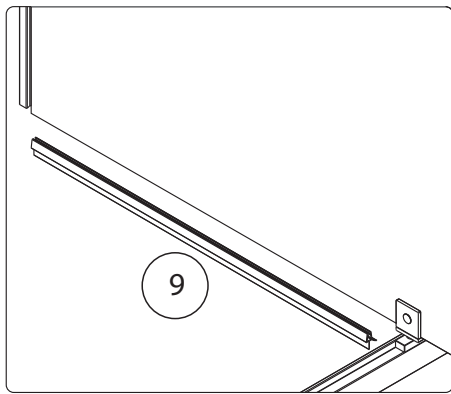
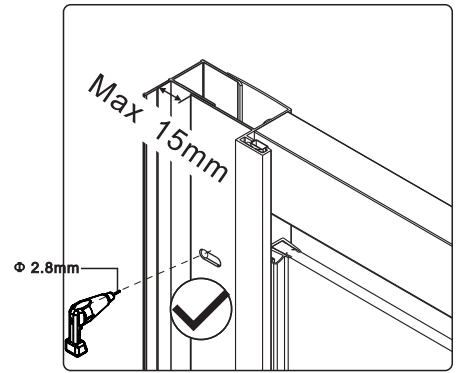
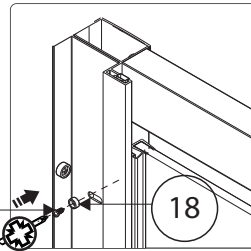
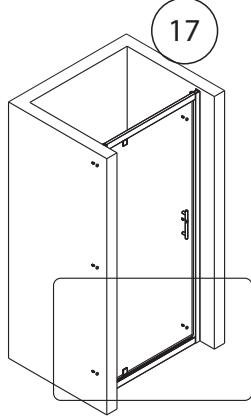
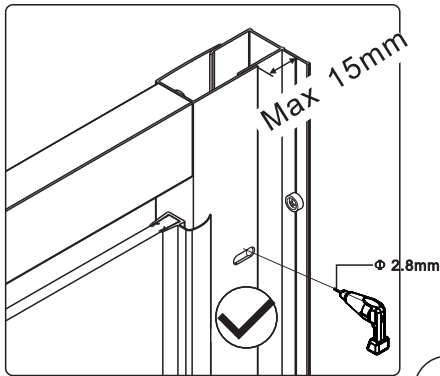
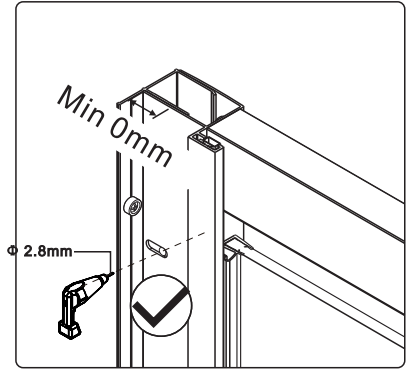
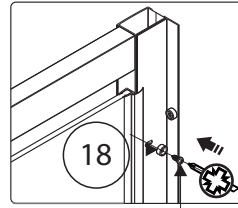
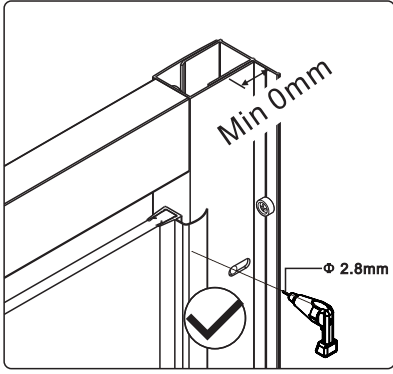




SIZE(mm)	A
800	780 - 810
900	880 - 910
1000	980 - 1010



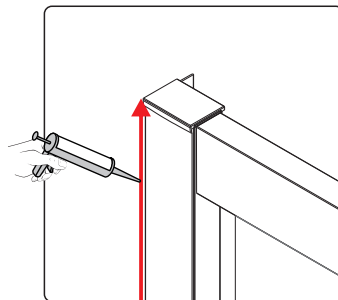
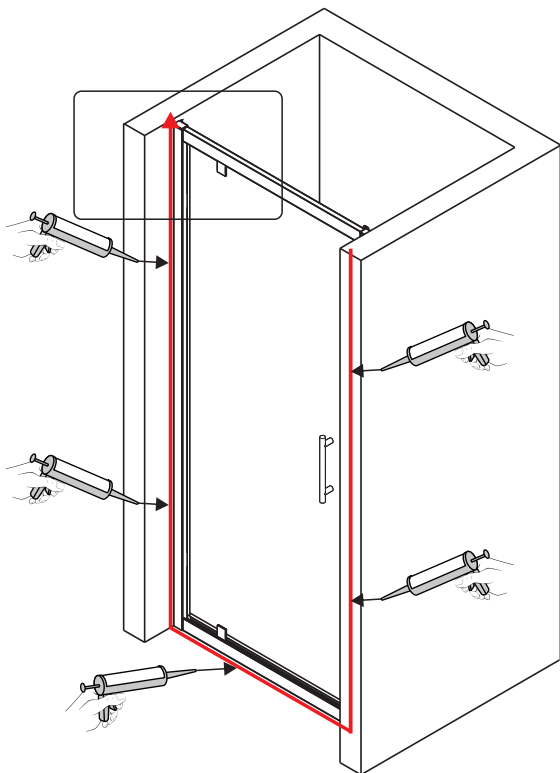
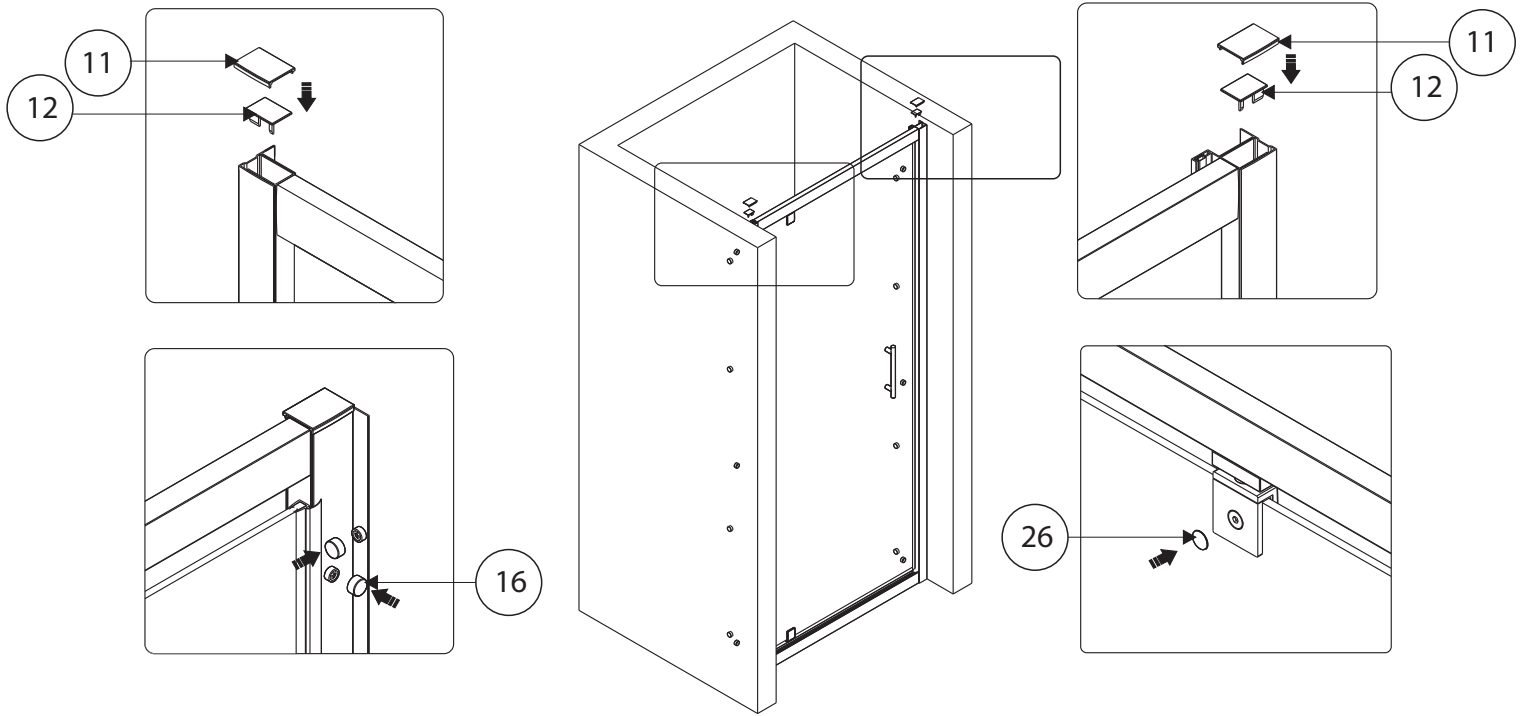


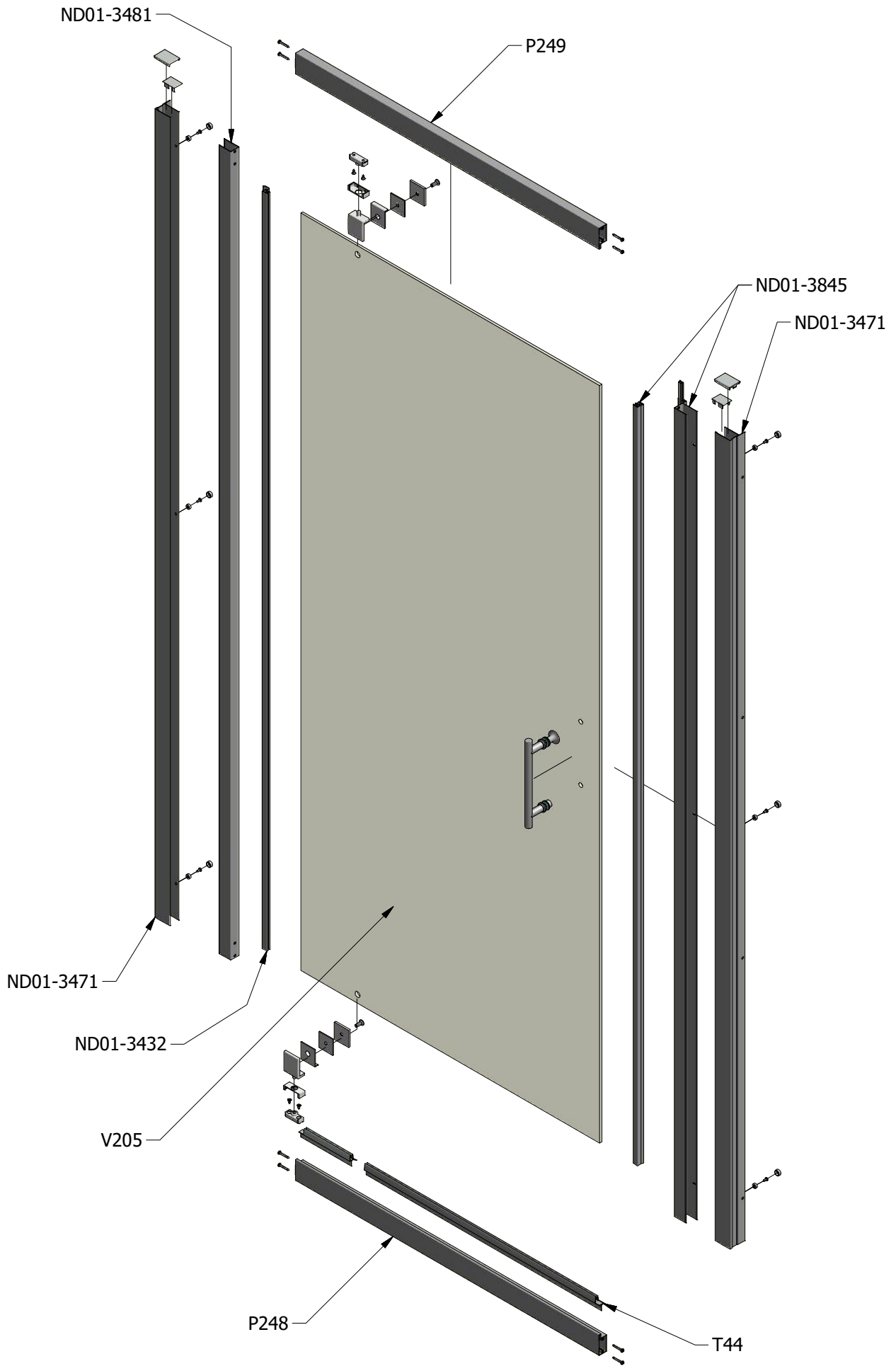


9

9







V205	800	brillant/transparent	ND02-0858-00-02
	900		ND02-0859-00-02
	1000		ND02-0860-00-02

P248	800	brillant	ND01-3483
	900		ND01-3485
	1000		ND01-3487

P249	800	brillant	ND01-3484
	900		ND01-3486
	1000		ND01-3488

T44	800		ND01-3890
	900		ND01-3891
	1000		ND01-3846